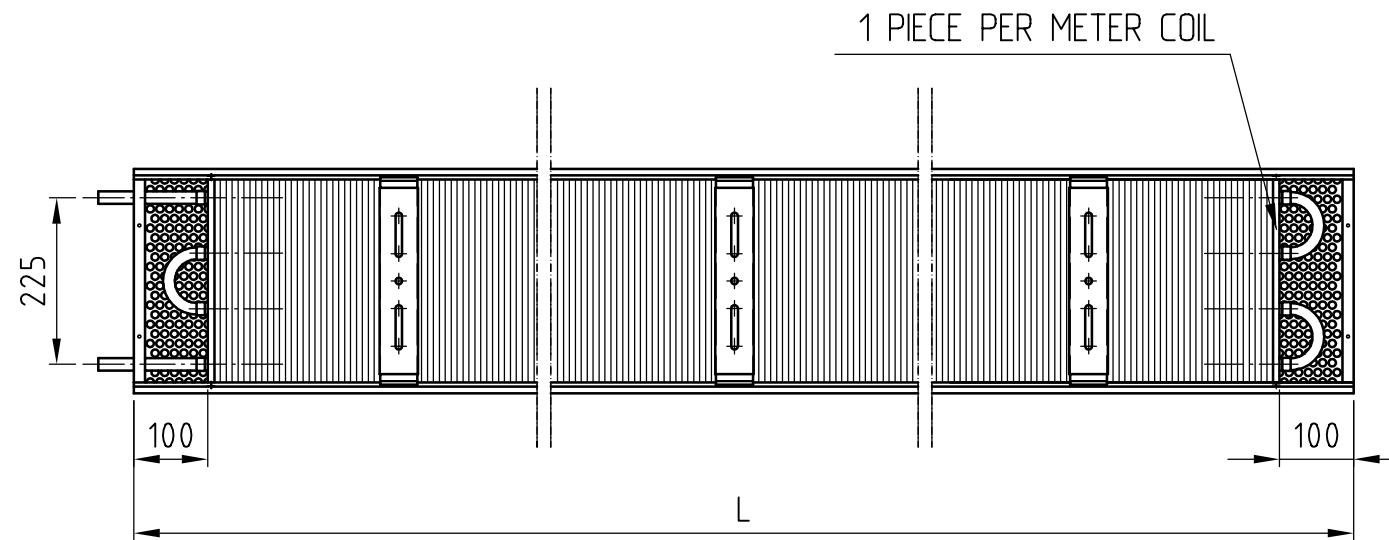
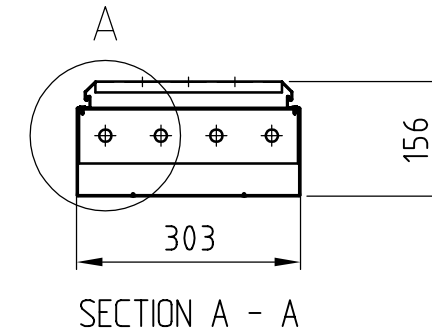
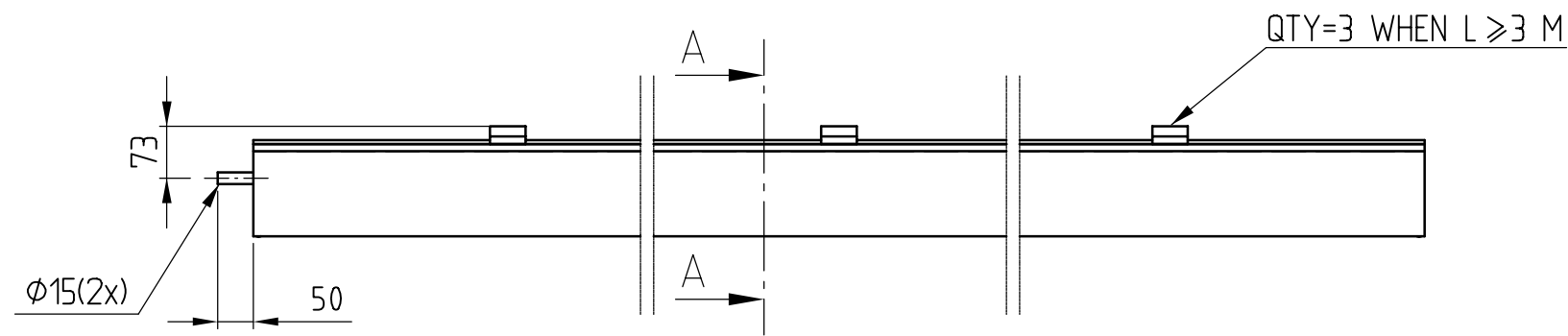


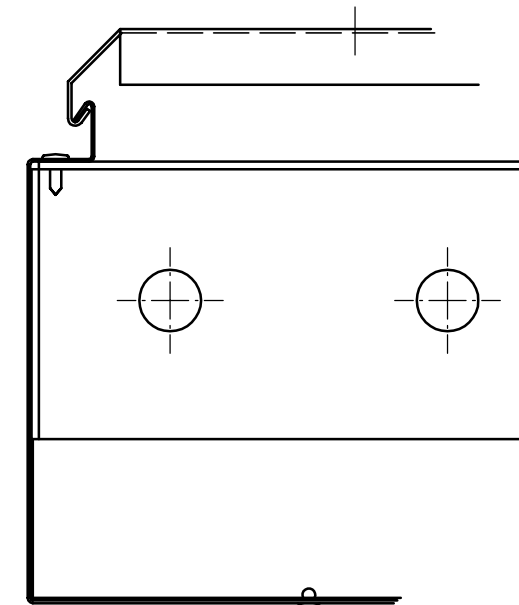


ECBK-xx30-120-HP/1

Nr	Ant.	Ändring och/eller medd.-nr	Datum	Inf.	Godk.
----	------	----------------------------	-------	------	-------



A (1:2)



NOT TOLERANCE INDICATED MEASUREMENTS ACC.TO ISO 2768-c

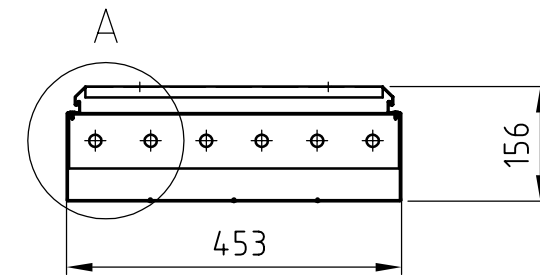
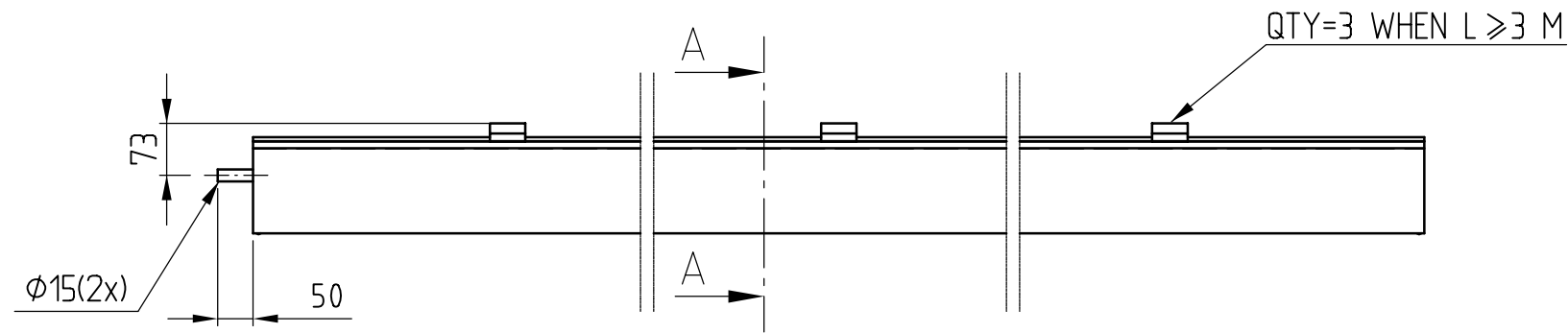
COOLING SYSTEM AB

Vretenvägen 11, S-171 54 Solna, Telefon 08-764 48 20, Telefax 08-764 67 07
E-mail: home@cosy.se, Hemsida: www.cosy.se

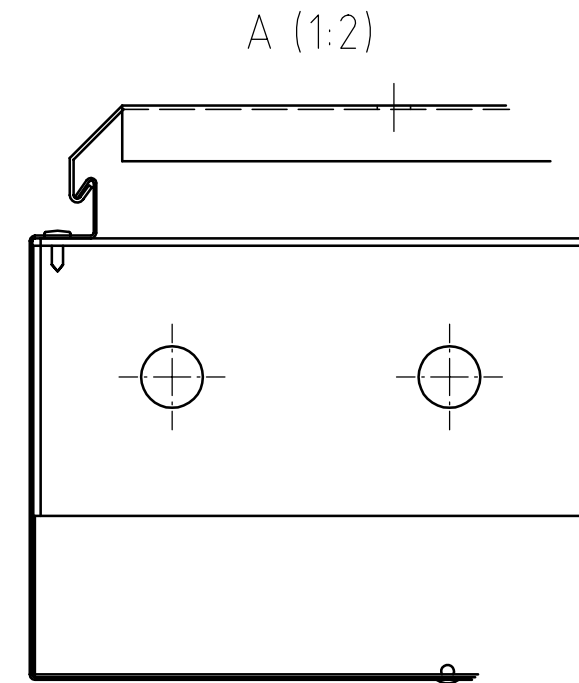
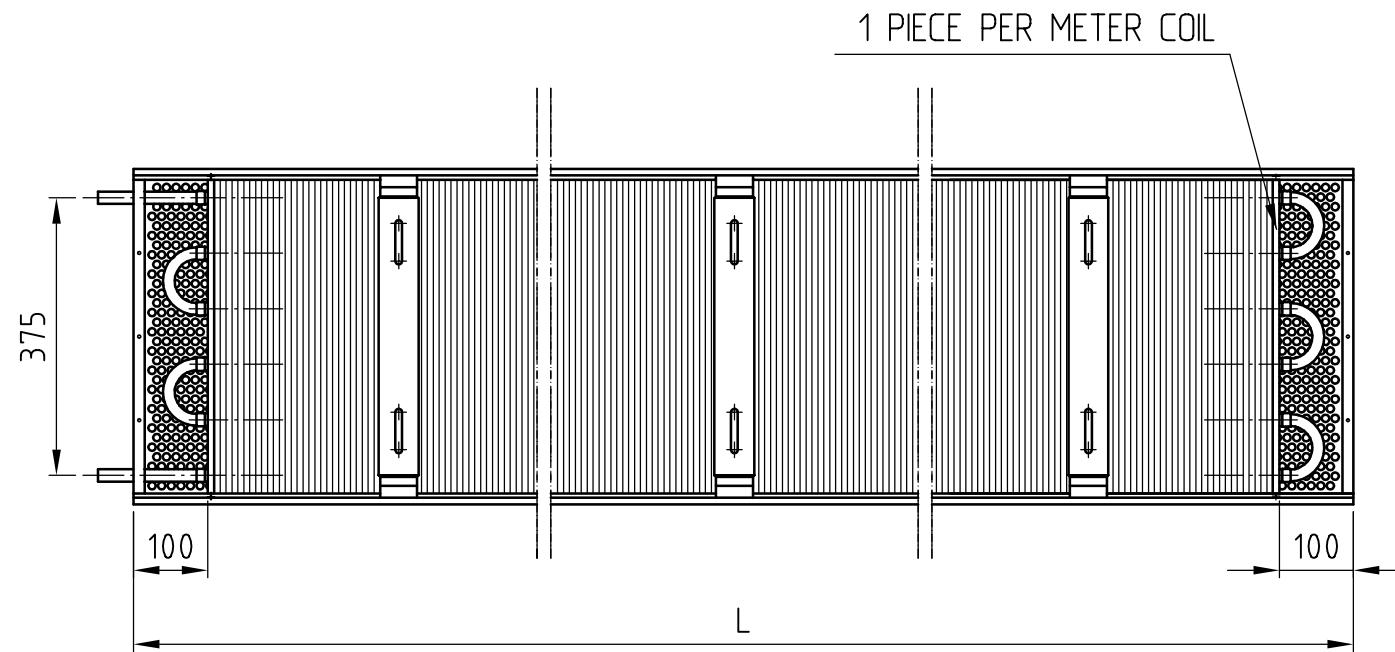


ECBK-xx45-120-HP/1

Nr	Ant.	Ändring och/eller medd.-nr	Datum	Inf.	Godk.
----	------	----------------------------	-------	------	-------



SECTION A - A



PART OF MAGNIFICATION

NOT TOLERANCE INDICATED MEASUREMENTS ACC.TO ISO 2768-c

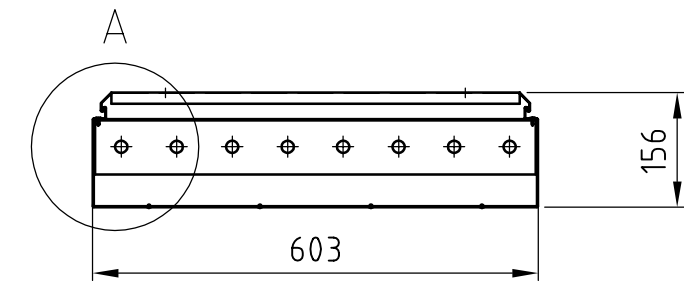
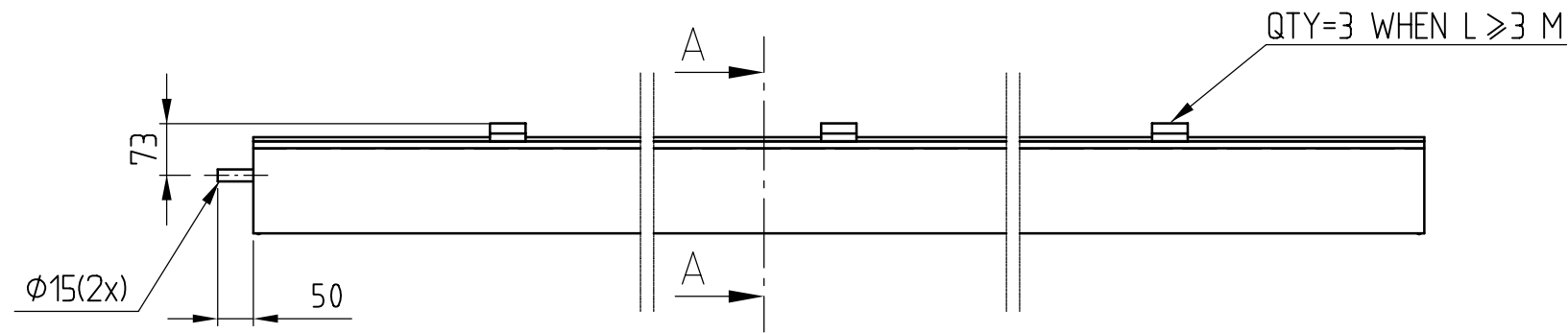
COOLING SYSTEM AB

Vretenvägen 11, S-171 54 Solna, Telefon 08-764 48 20, Telefax 08-764 67 07
E-mail: home@cosy.se, Hemsida: www.cosy.se

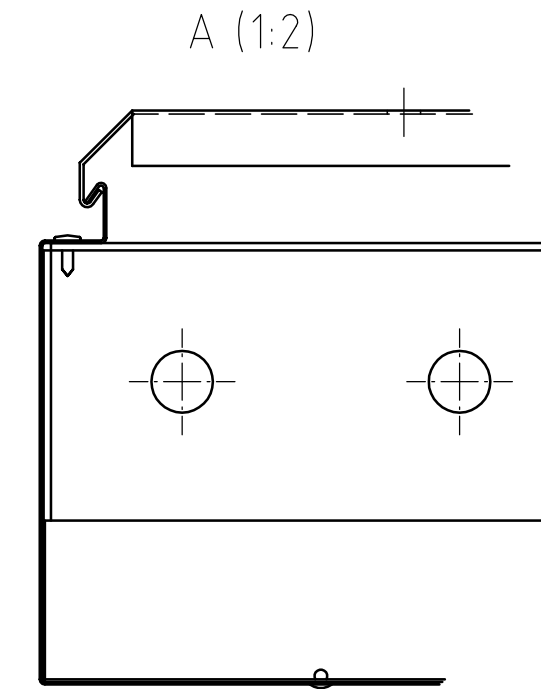
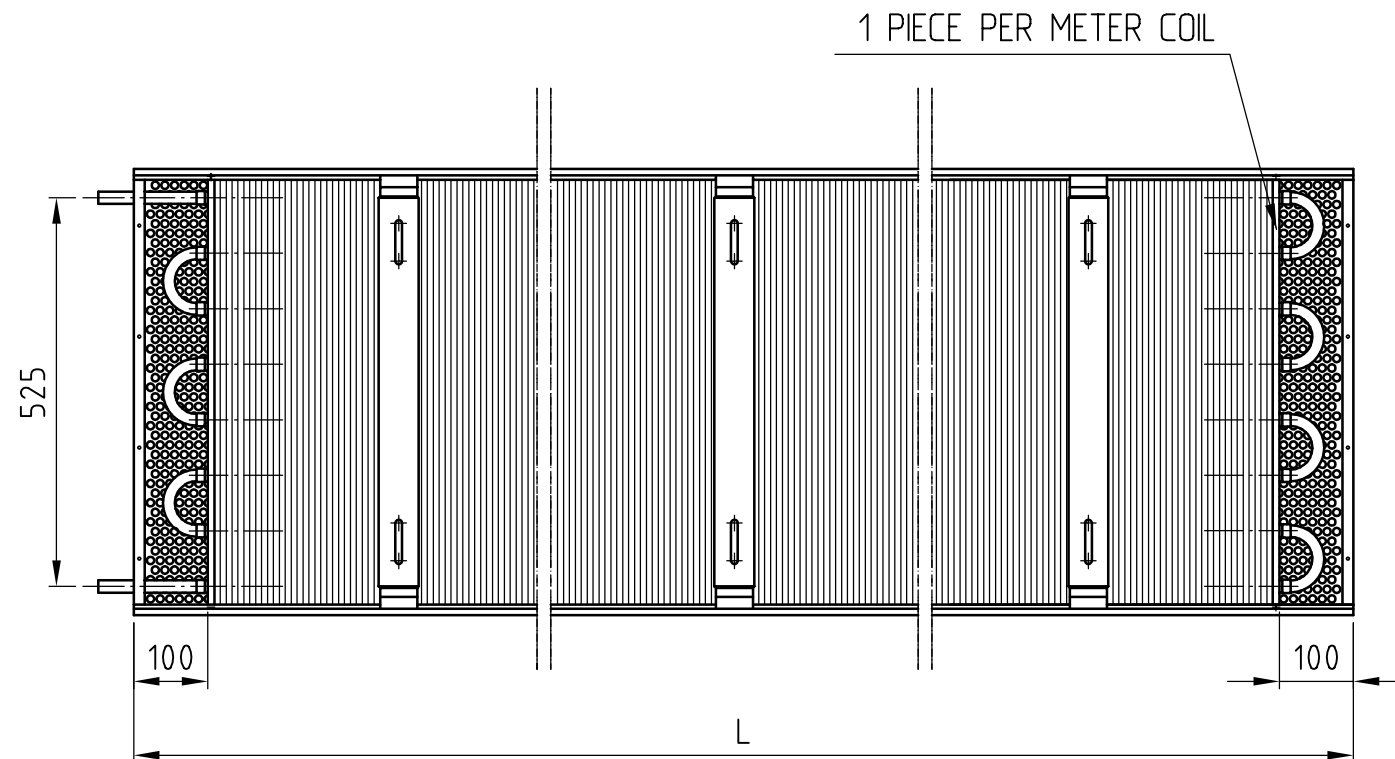


ECBK-xx60-120-HP/1

Nr	Ant.	Ändring och/eller medd.-nr	Datum	Inf.	Godk.
----	------	----------------------------	-------	------	-------



SECTION A - A



PART OF MAGNIFICATION

NOT TOLERANCE INDICATED MEASUREMENTS ACC.TO ISO 2768-c

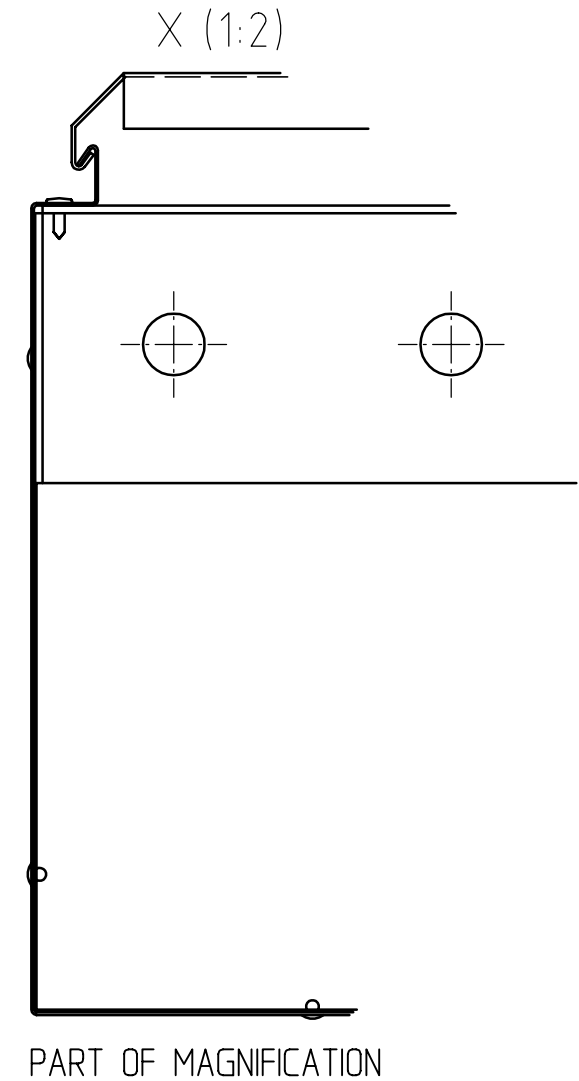
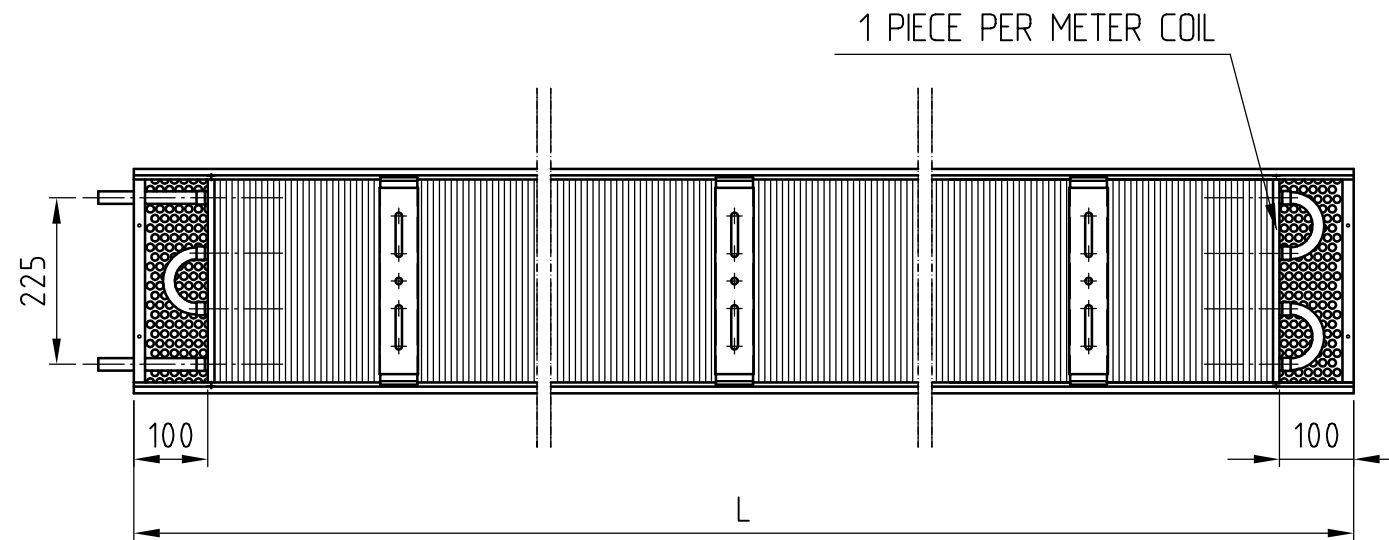
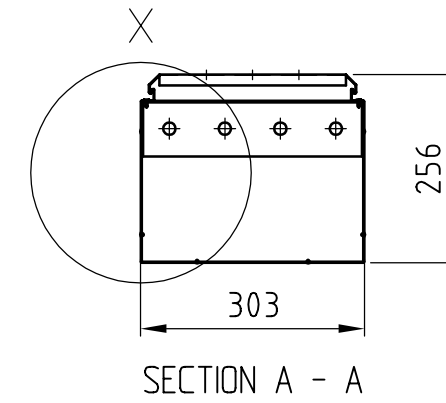
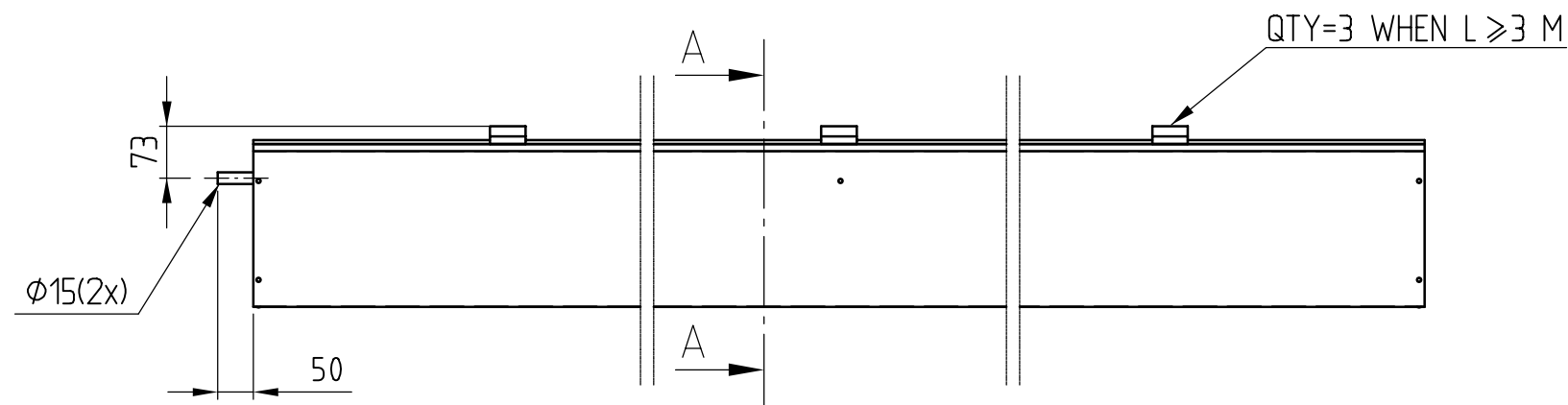
COOLING SYSTEM AB

Vretenvägen 11, S-171 54 Solna, Telefon 08-764 48 20, Telefax 08-764 67 07
E-mail: home@cosy.se, Hemsida: www.cosy.se



ECBK-xx30-235-HP/1

Nr	Ant.	Ändring och/eller medd.-nr	Datum	Inf.	Godk.
----	------	----------------------------	-------	------	-------



NOT TOLERANCE INDICATED MEASUREMENTS ACC.TO ISO 2768-c

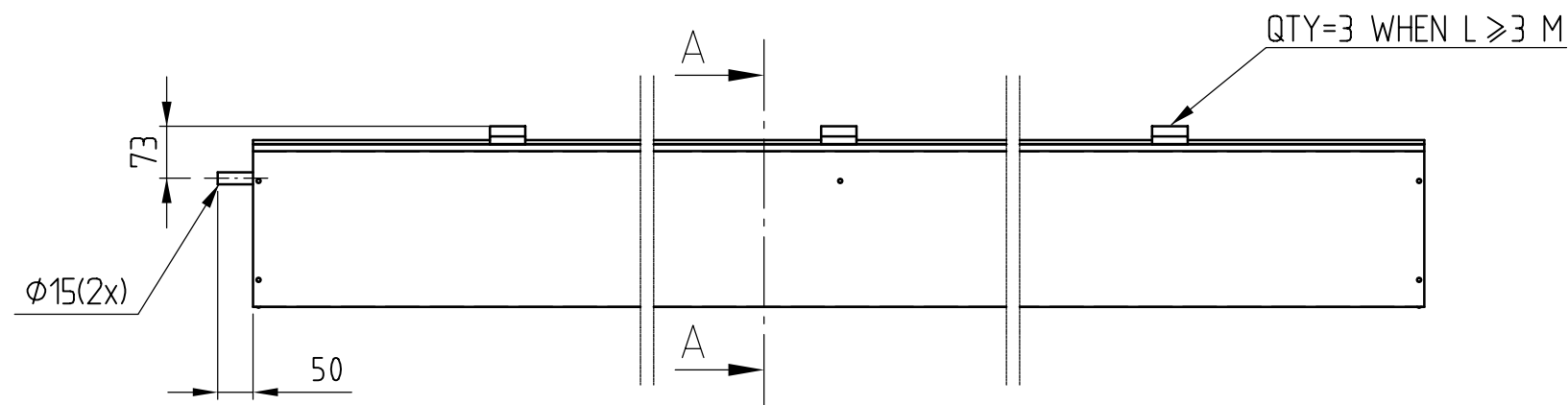
COOLING SYSTEM AB

Vretenvägen 11, S-171 54 Solna, Telefon 08-764 48 20, Telefax 08-764 67 07
E-mail: home@cosy.se, Hemsida: www.cosy.se

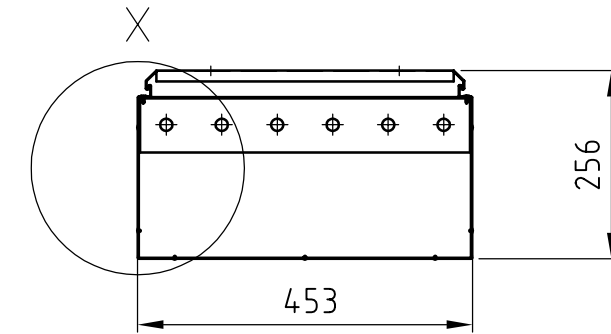


ECBK-xx45-235-HP/1

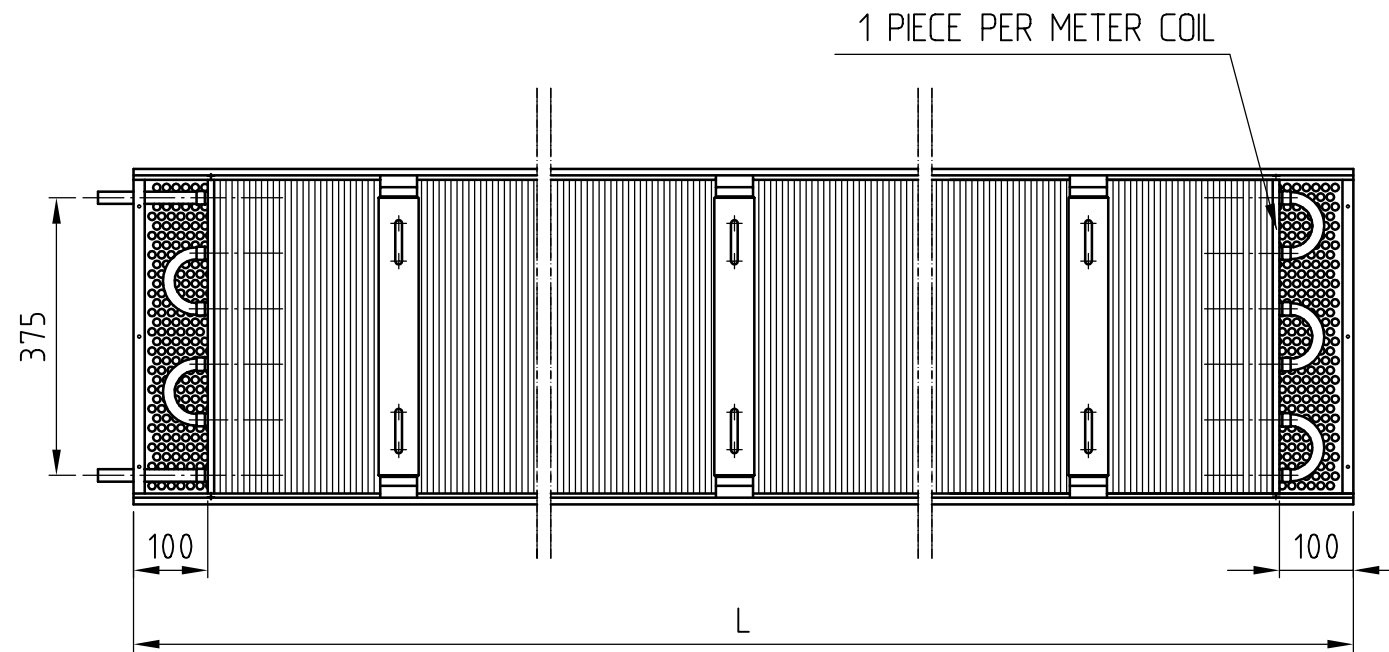
Nr	Ant.	Ändring och/eller medd.-nr	Datum	Inf.	Godk.
----	------	----------------------------	-------	------	-------



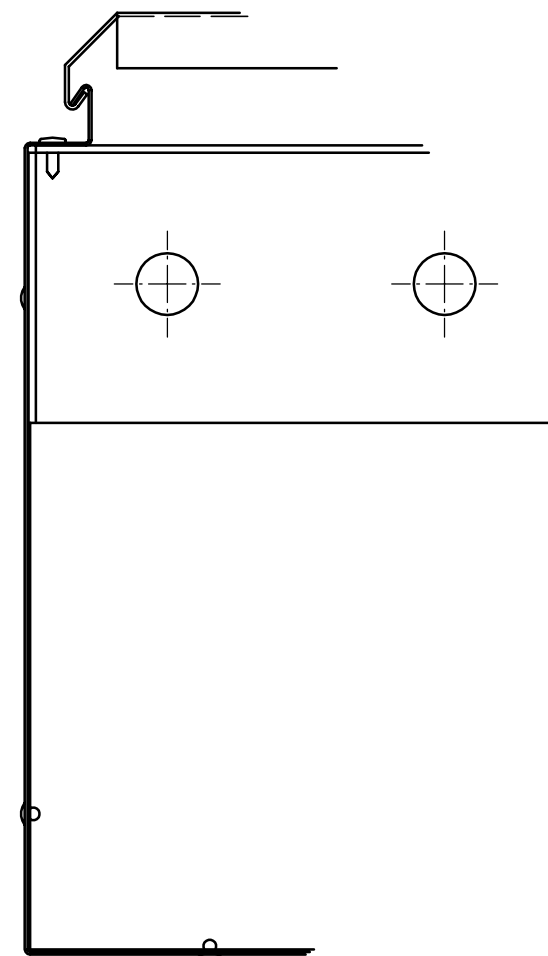
QTY=3 WHEN $L \geq 3$ M



SECTION A - A



X (1:2)



PART OF MAGNIFICATION

NOT TOLERANCE INDICATED MEASUREMENTS ACC.TO ISO 2768-c

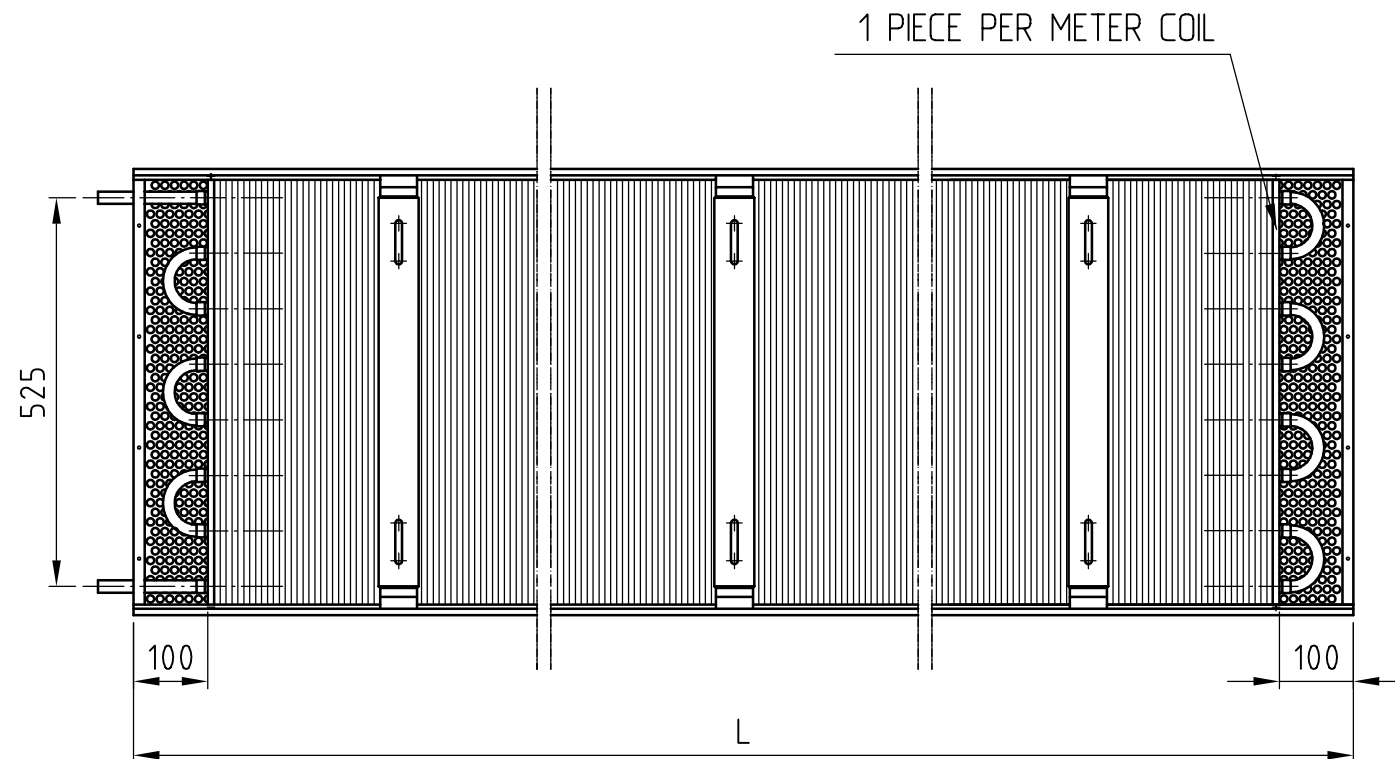
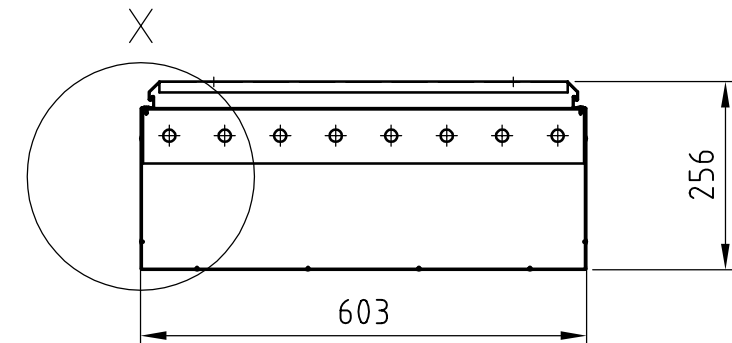
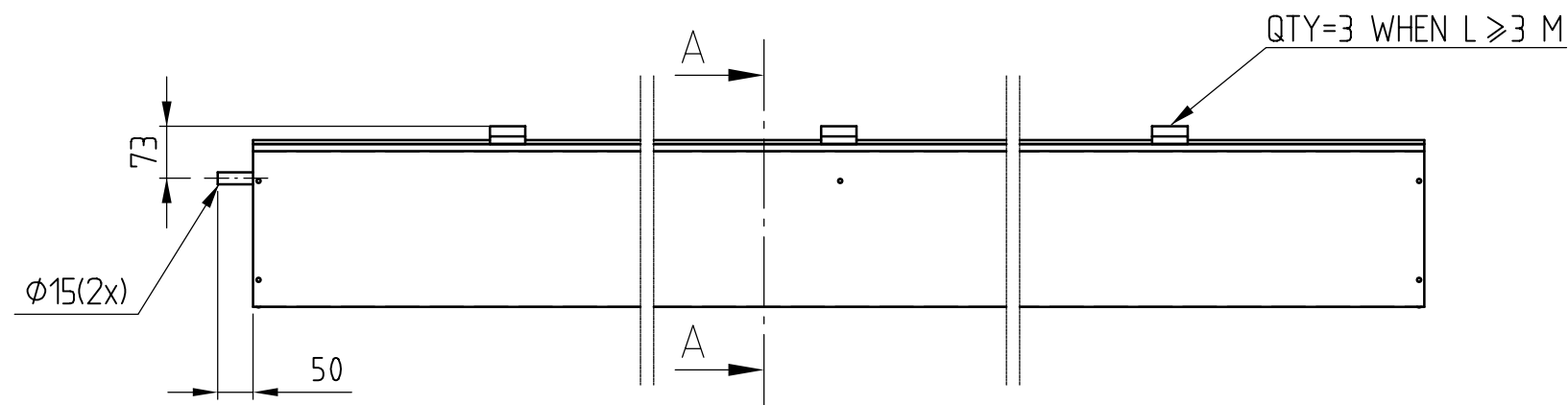
COOLING SYSTEM AB

Vretenvägen 11, S-171 54 Solna, Telefon 08-764 48 20, Telefax 08-764 67 07
E-mail: home@cosy.se, Hemsida: www.cosy.se

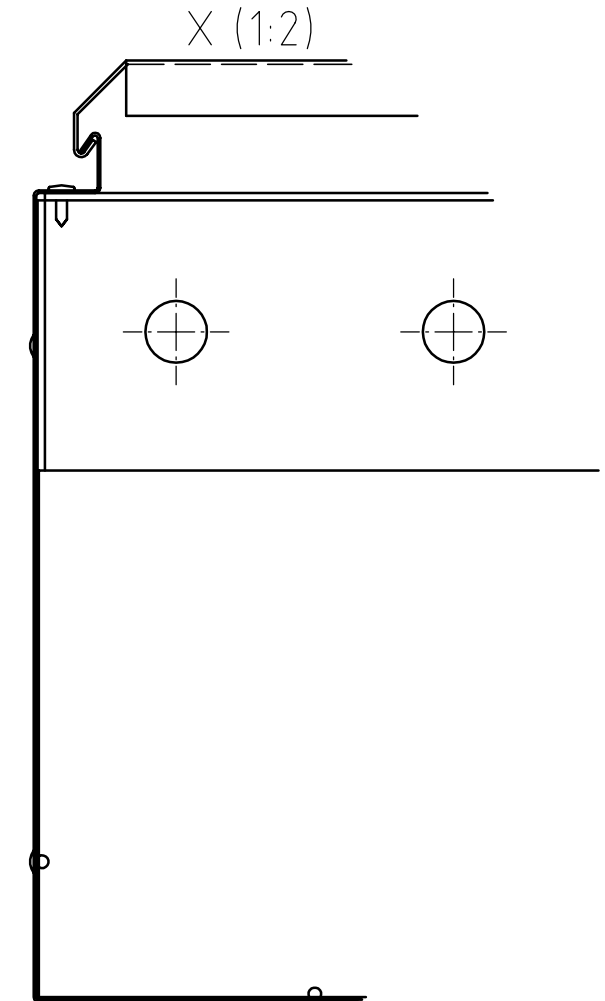


ECBK-xx60-235-HP/1

Nr	Ant.	Ändring och/eller medd.-nr	Datum	Inf.	Godk.
----	------	----------------------------	-------	------	-------



SECTION A - A



NOT TOLERANCE INDICATED MEASUREMENTS ACC.TO ISO 2768-c

COOLING SYSTEM AB

Vretenvägen 11, S-171 54 Solna, Telefon 08-764 48 20, Telefax 08-764 67 07
E-mail: home@cosy.se, Hemsida: www.cosy.se