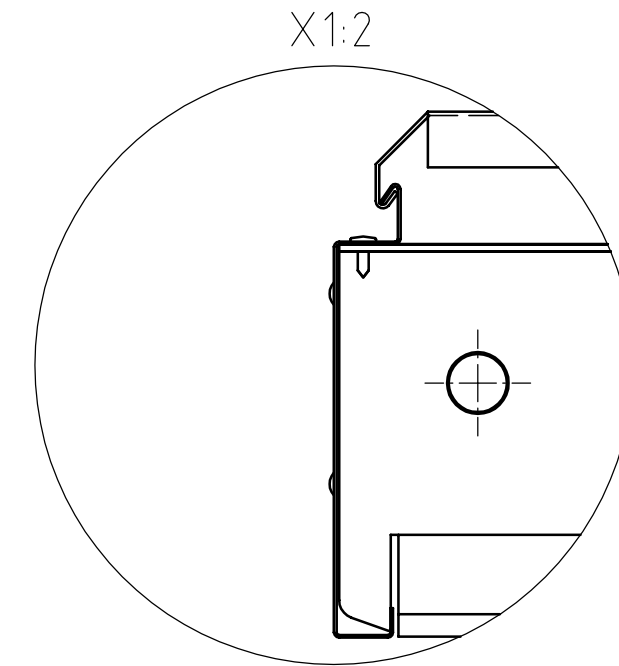
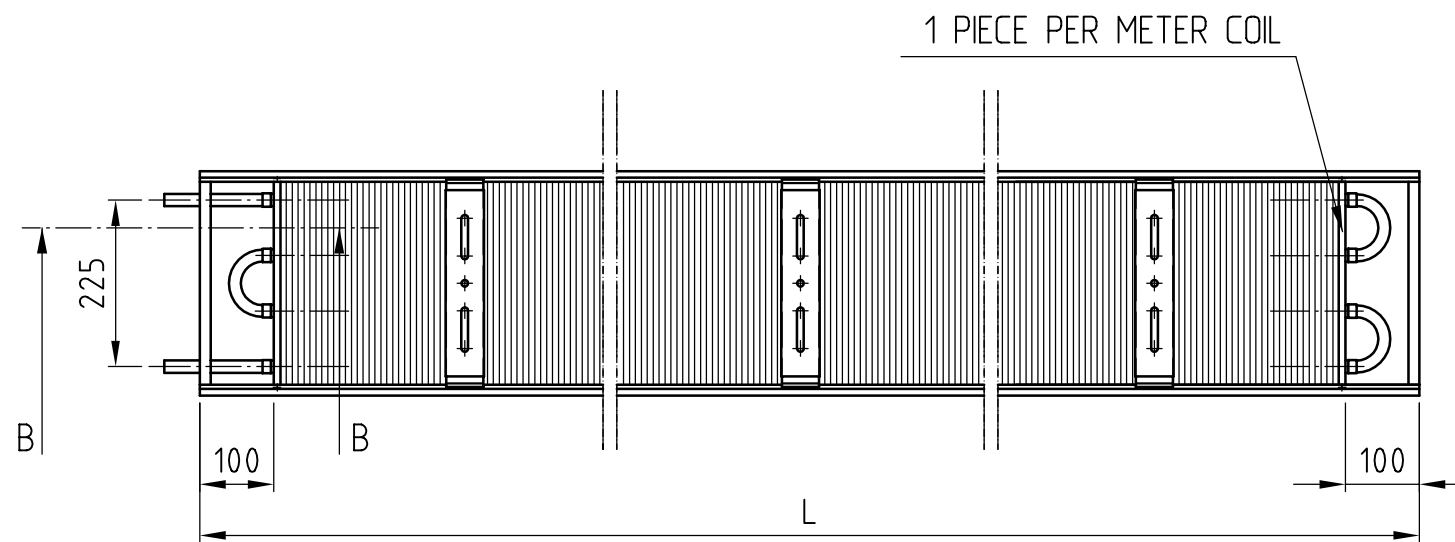
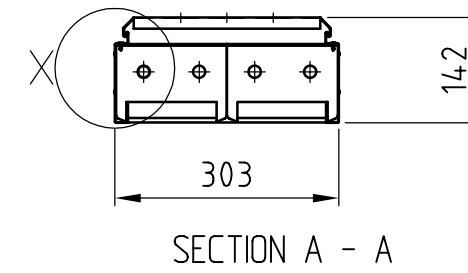
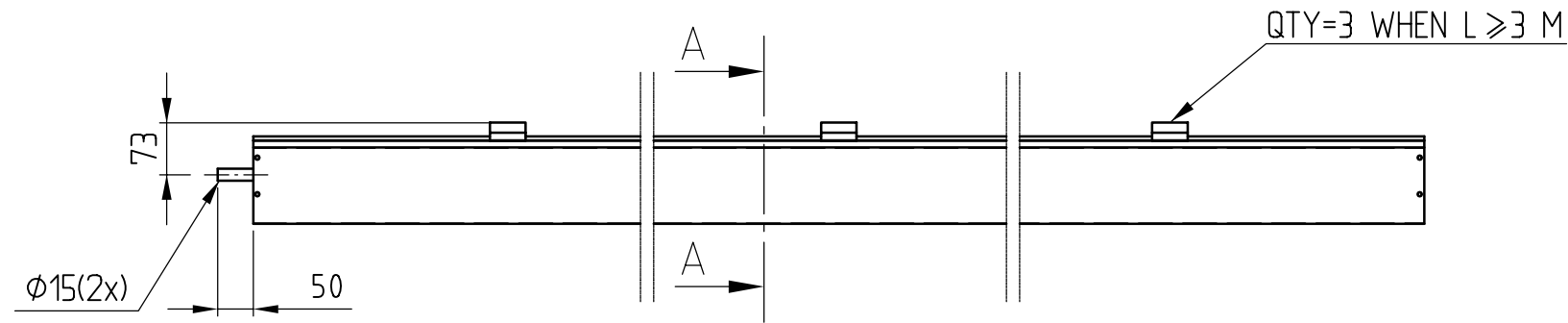


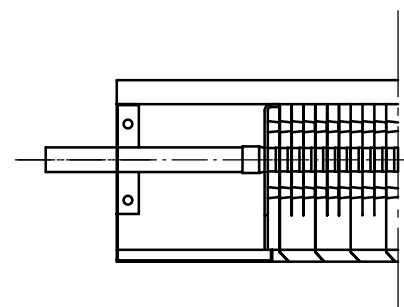


ECAK-xx30-HP/1

Nr	Ant.	Ändring och/eller medd.-nr	Datum	Inf.	Godk.
----	------	----------------------------	-------	------	-------



NOT TOLERANCE INDICATED MEASUREMENTS ACC.TO ISO 2768-c



SECTION B - B

SCALE 1 : 5

COOLING SYSTEM AB

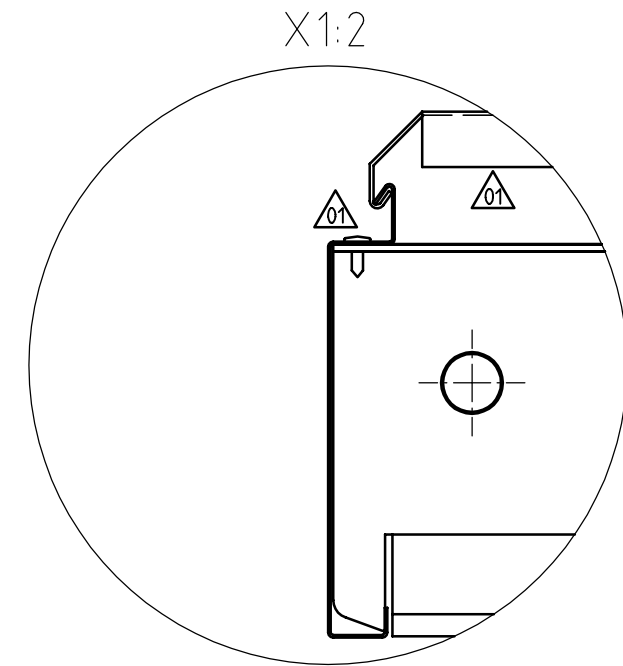
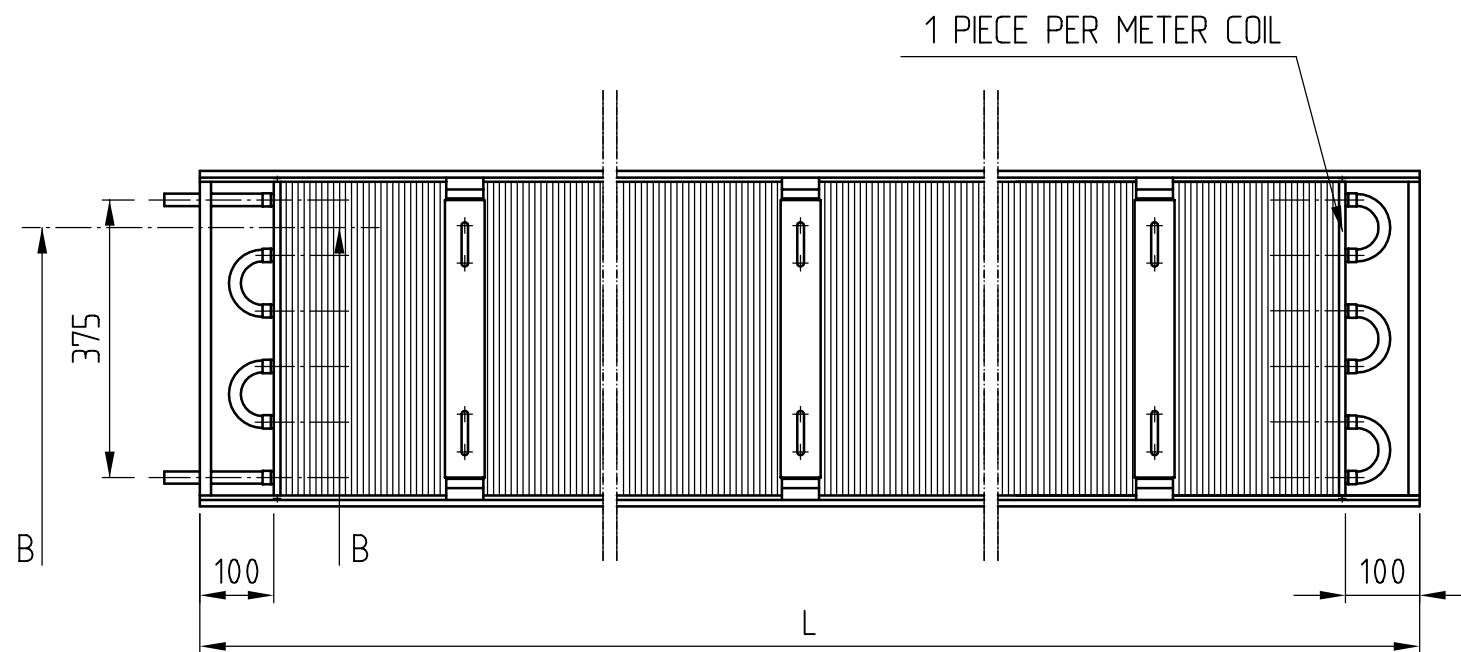
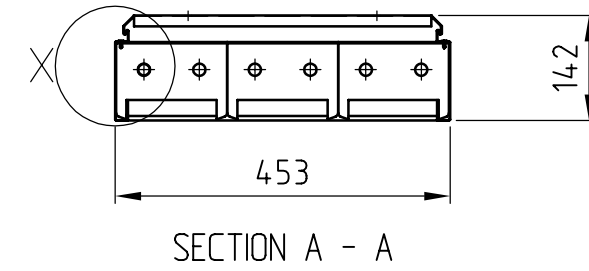
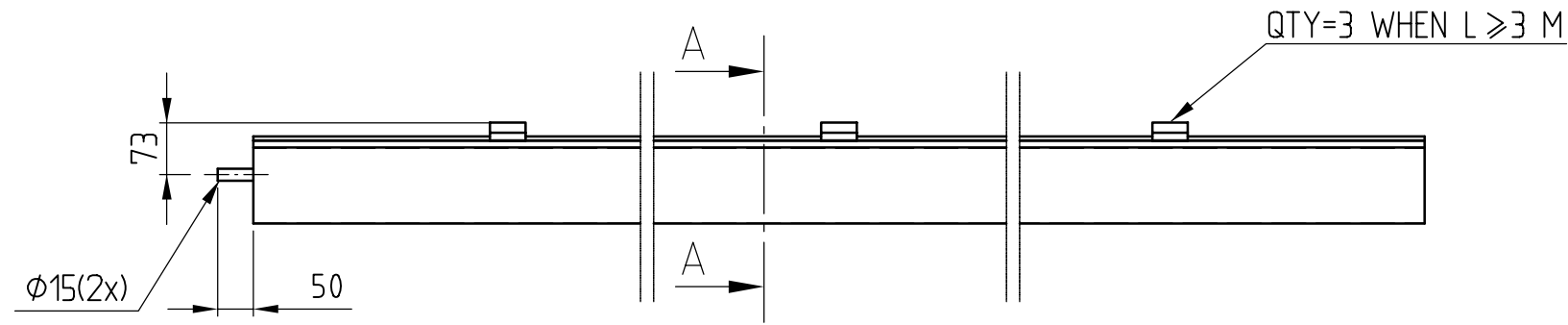
Vretenvägen 11, S-171 54 Solna, Telefon 08-764 48 20, Telefax 08-764 67 07

E-mail: home@cosy.se, Hemsida: www.cosy.se

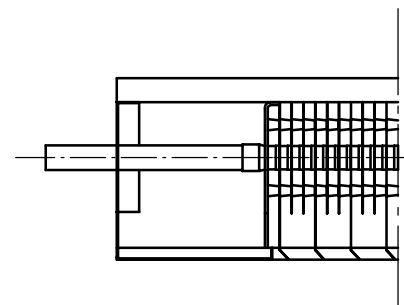


ECAK-xx45-HP/1

Nr	Ant.	Ändring och/eller medd.-nr	Datum	Inf.	Godk.
01	1	MOUNTING CHANGED	001129	JW	
01	1	SCREW SHOWN	001129	JW	



NOT TOLERANCE INDICATED MEASUREMENTS ACC.TO ISO 2768-c



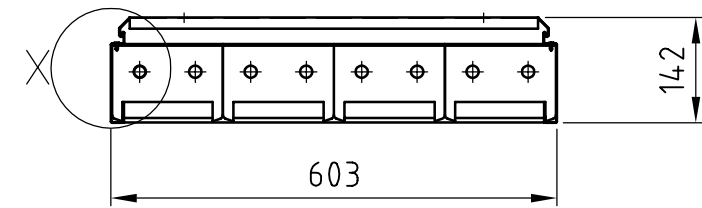
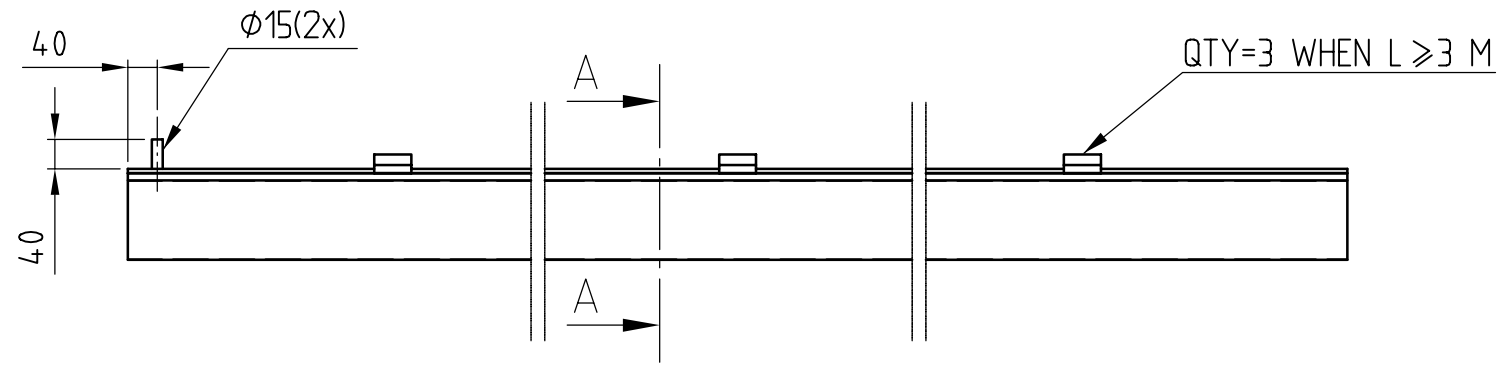
COOLING SYSTEM AB

Vretenvägen 11, S-171 54 Solna, Telefon 08-764 48 20, Telefax 08-764 67 07
E-mail: home@cosy.se, Hemsida: www.cosy.se

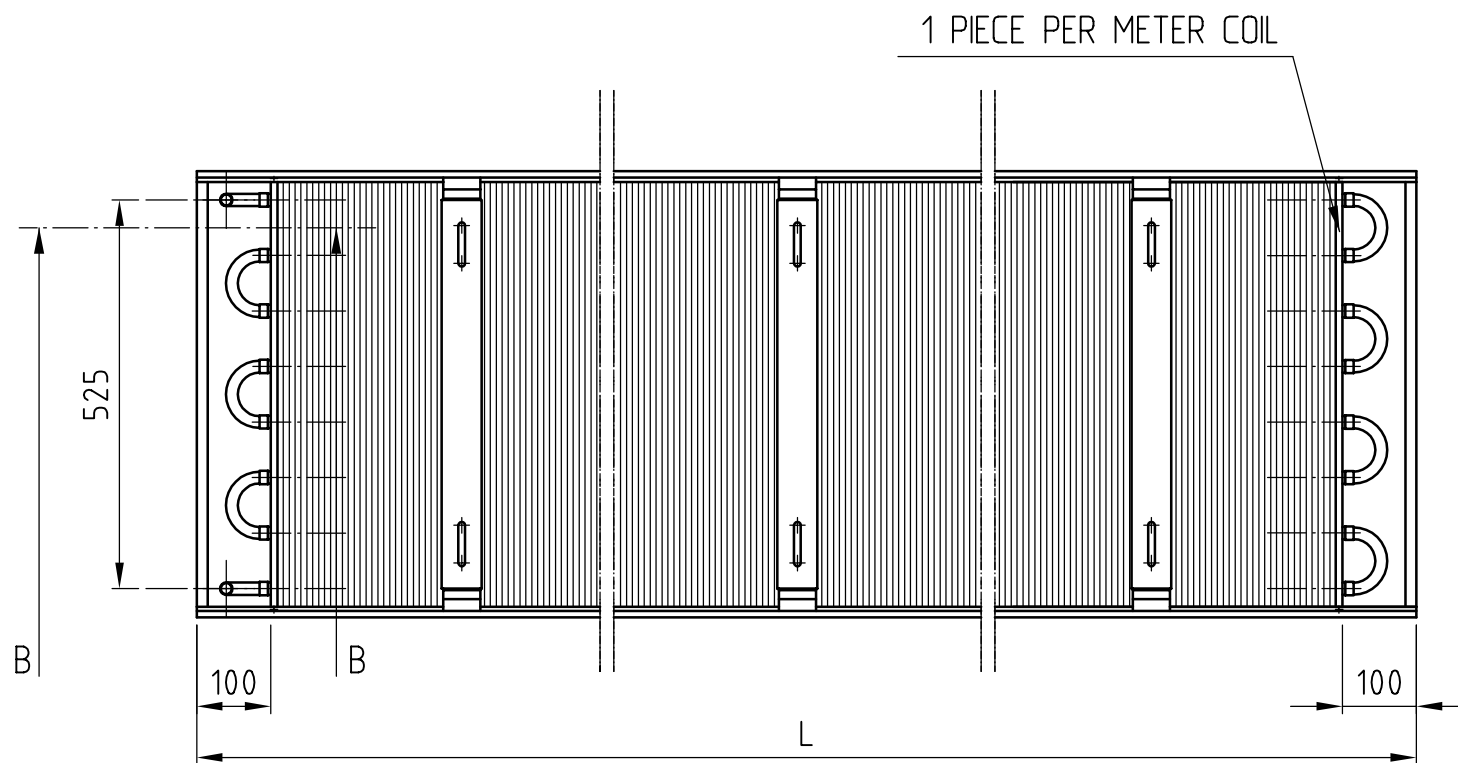


ECAK-xx45-VP/1

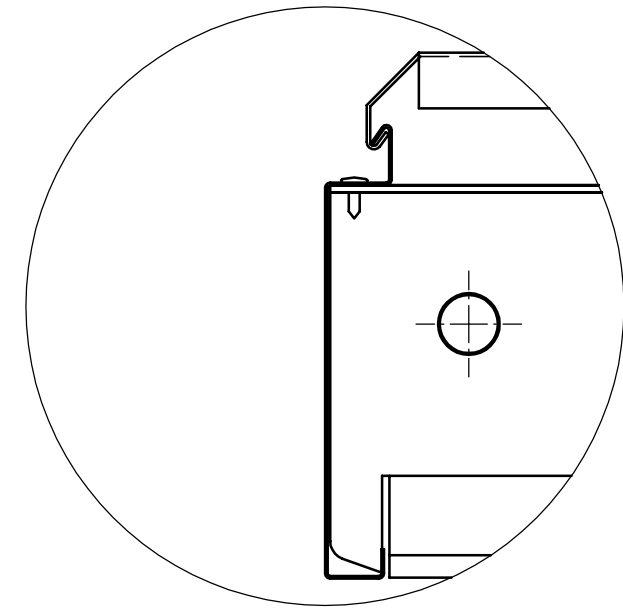
Nr	Ant.	Ändring och/eller medd.-nr	Datum	Inf.	Godk.
----	------	----------------------------	-------	------	-------



SECTION A - A

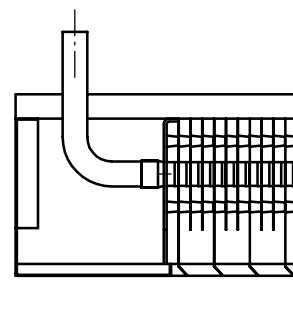


X1:2



PART OF MAGNIFICATION

NOT TOLERANCE INDICATED MEASUREMENTS ACC.TO ISO 2768-c



SECTION B - B

SCALE 1 : 5

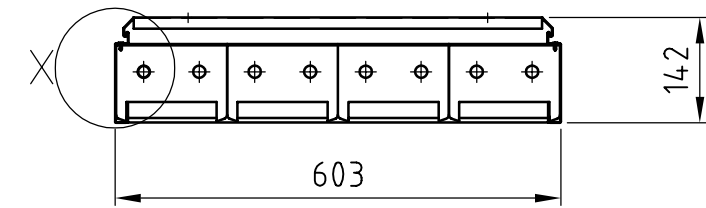
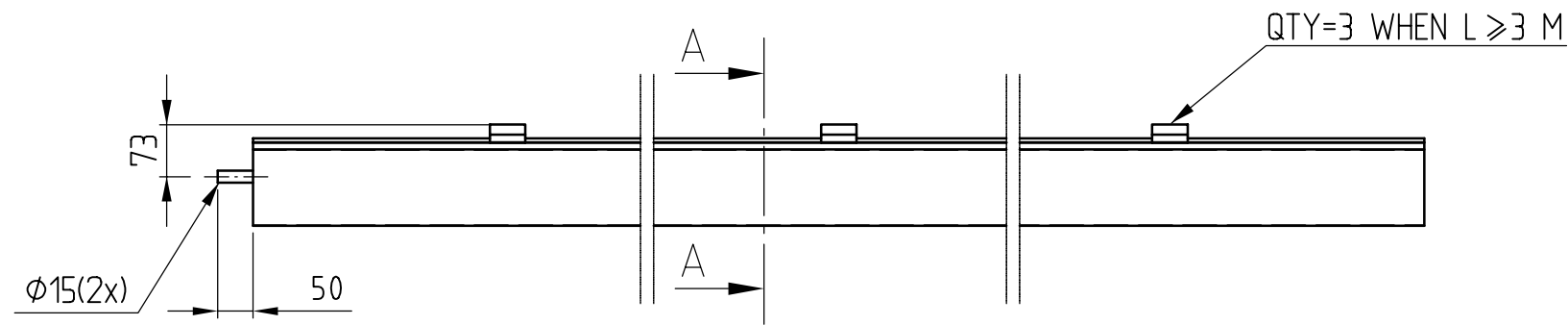
COOLING SYSTEM AB

Vretenvägen 11, S-171 54 Solna, Telefon 08-764 48 20, Telefax 08-764 67 07
 E-mail: home@cosy.se, Hemsida: www.cosy.se

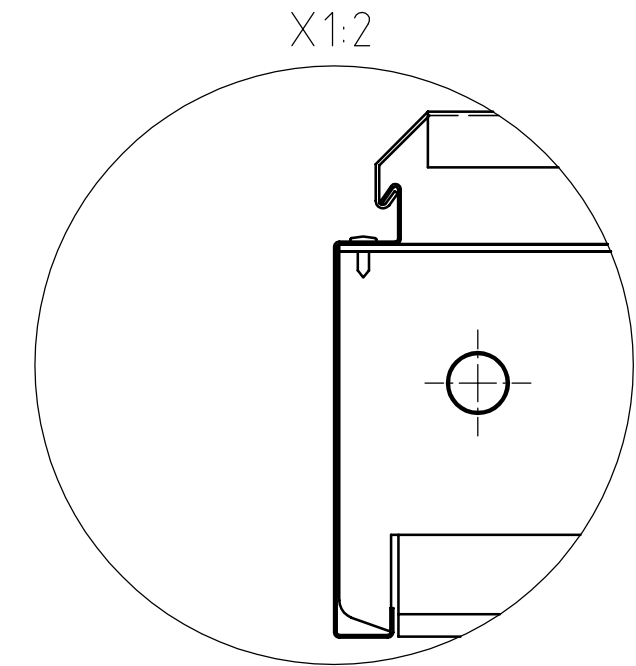
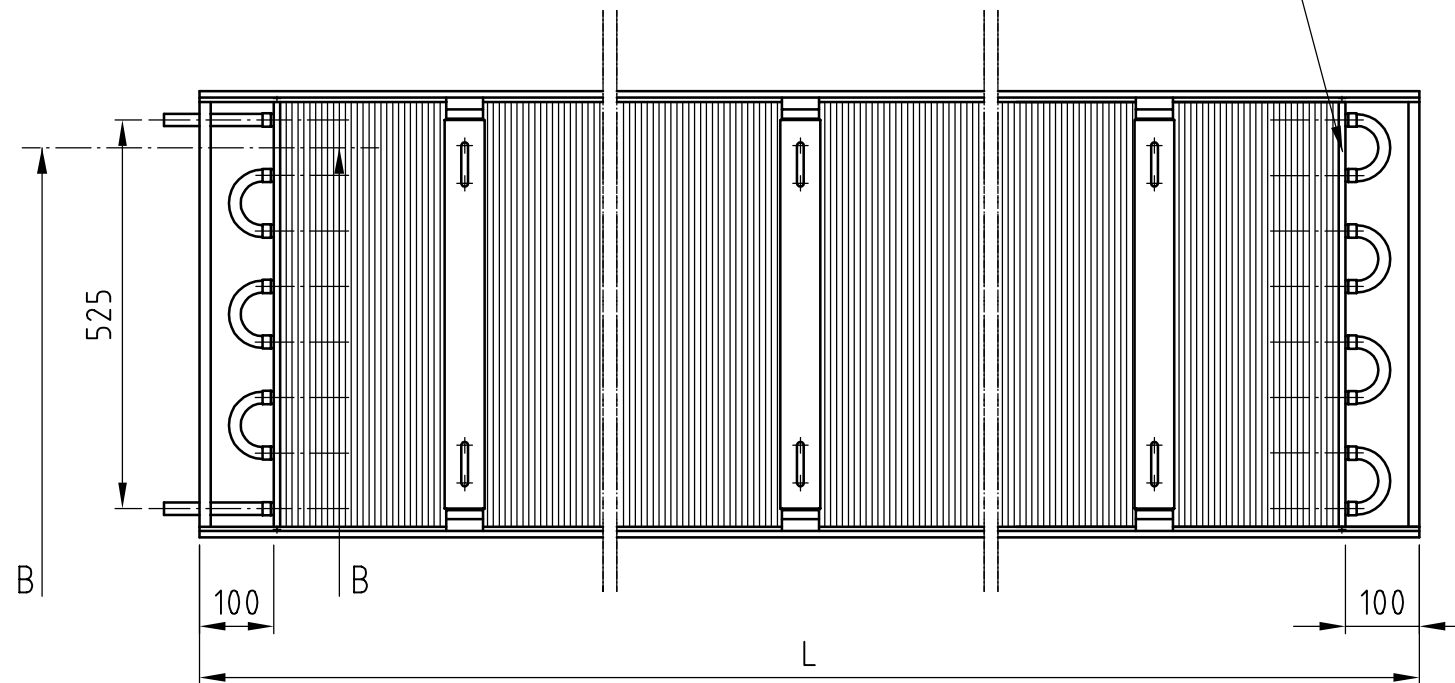


ECAK-xx60-HP/1

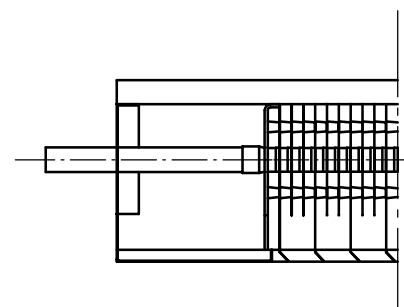
Nr	Ant.	Ändring och/eller medd.-nr	Datum	Inf.	Godk.
----	------	----------------------------	-------	------	-------



1 PIECE PER METER COIL



NOT TOLERANCE INDICATED MEASUREMENTS ACC.TO ISO 2768-c



SCALE 1 : 5

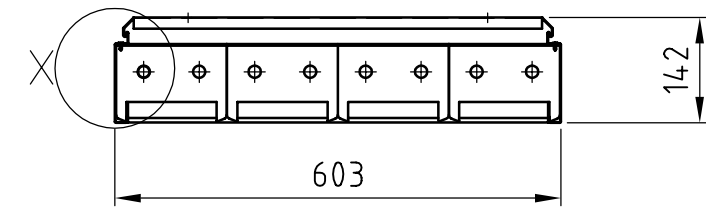
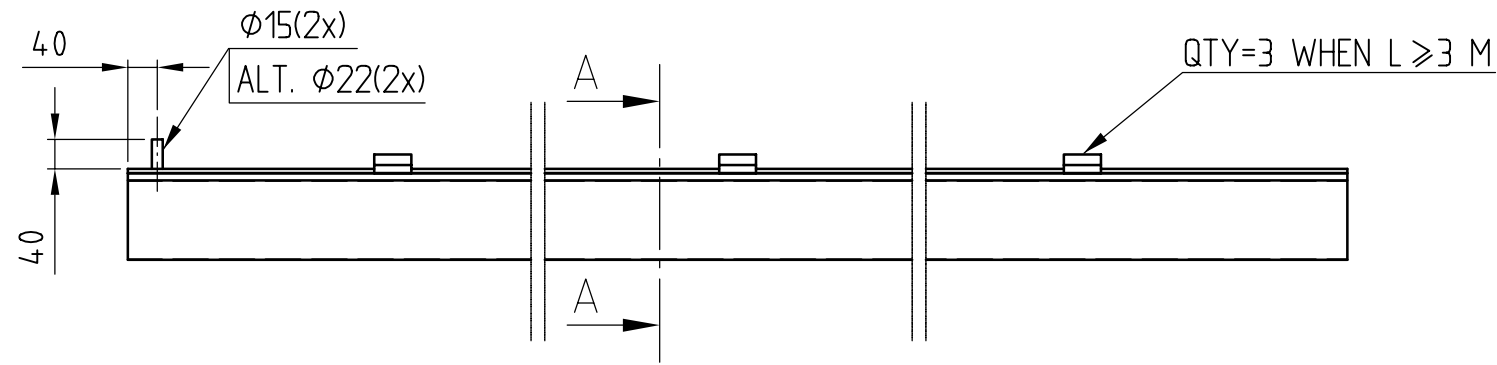
COOLING SYSTEM AB

Vretenvägen 11, S-171 54 Solna, Telefon 08-764 48 20, Telefax 08-764 67 07
E-mail: home@cosy.se, Hemsida: www.cosy.se

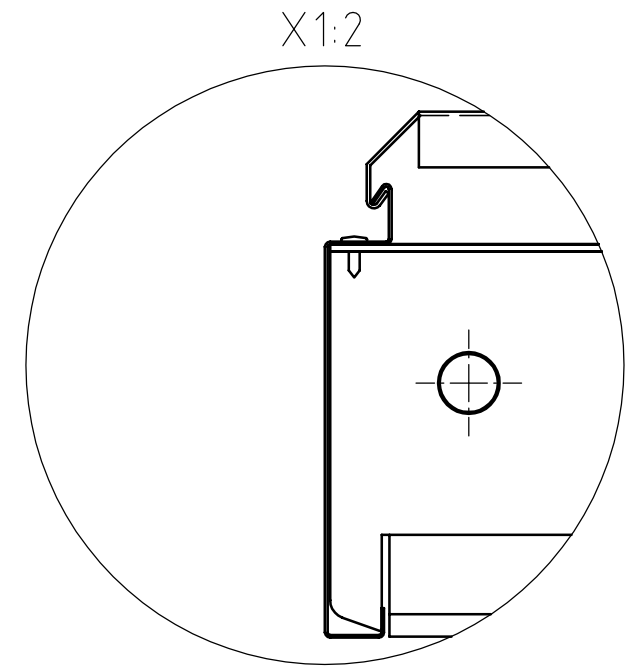
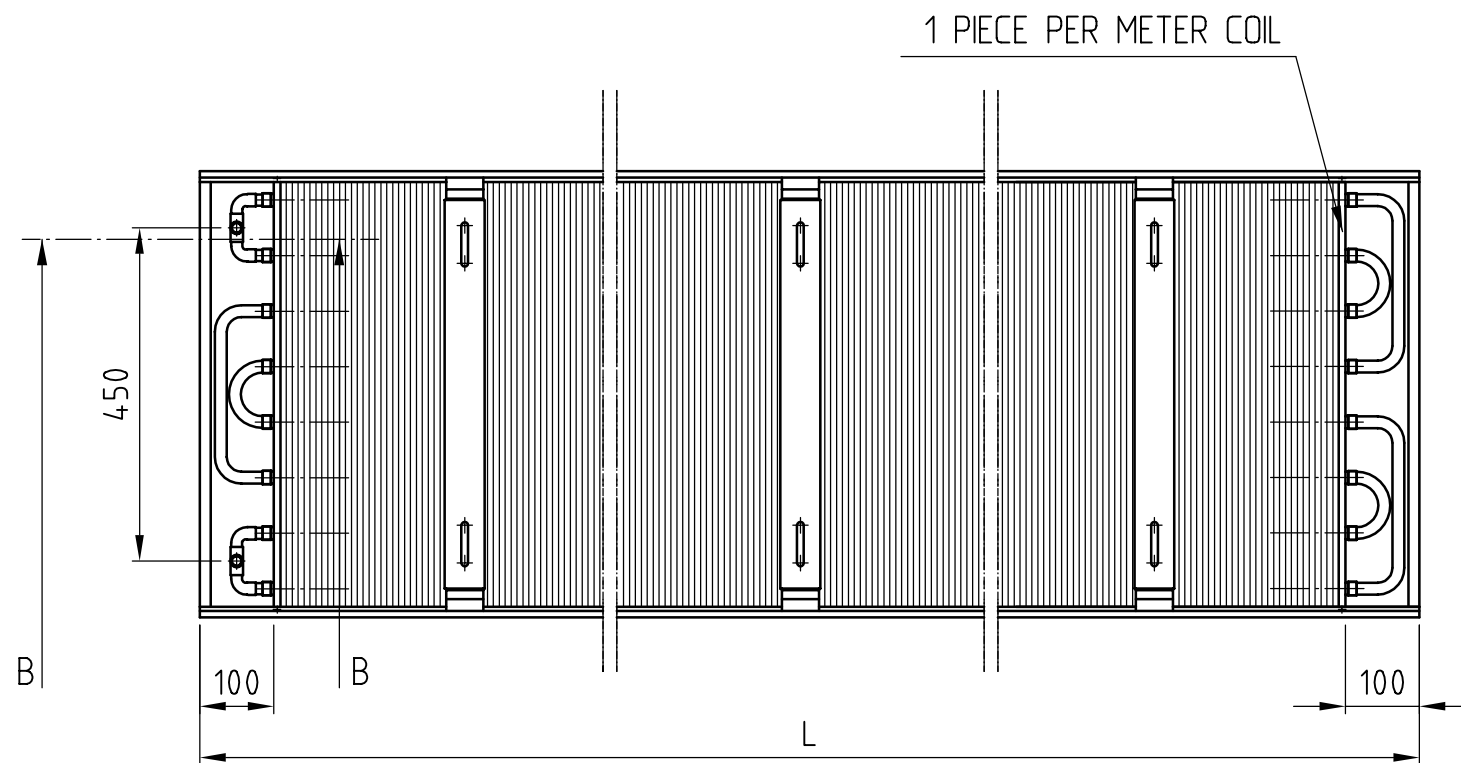


ECAK-xx60-VP/2

Nr	Ant.	Ändring och/eller medd.-nr	Datum	Inf.	Godk.
----	------	----------------------------	-------	------	-------

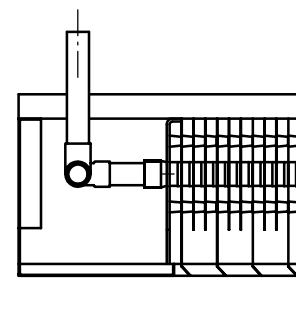


SECTION A - A



PART OF MAGNIFICATION

NOT TOLERANCE INDICATED MEASUREMENTS ACC.TO ISO 2768-c



SECTION B - B

SCALE 1 : 5