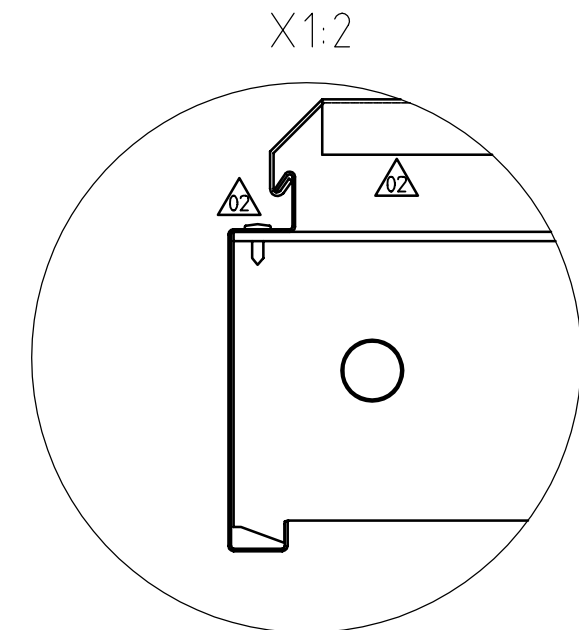
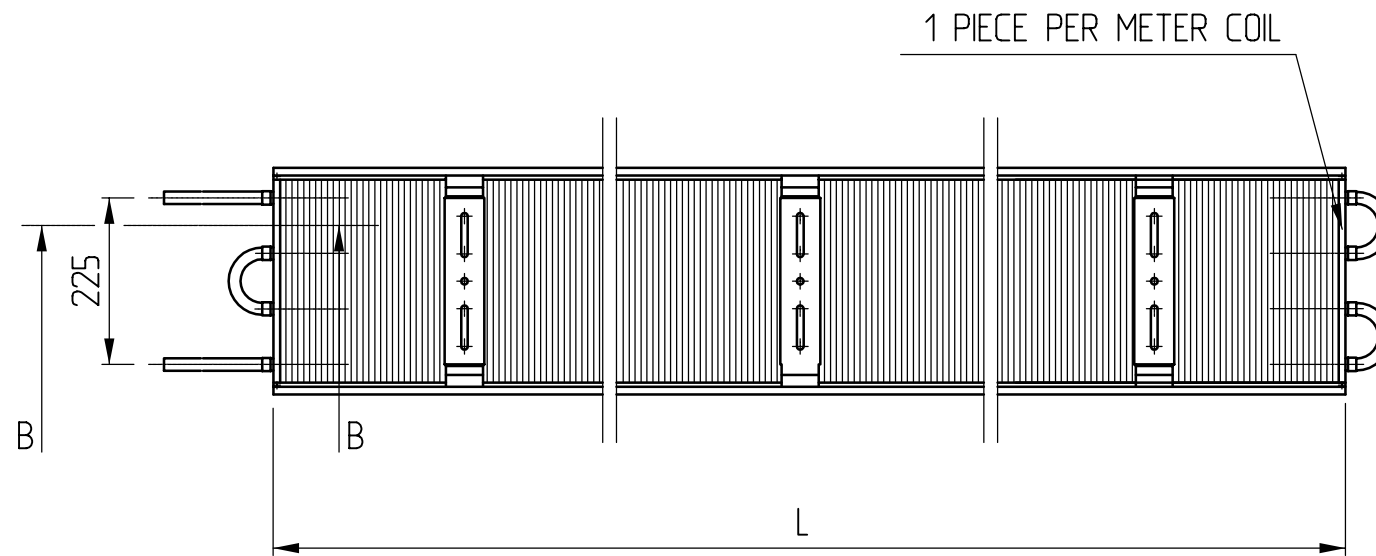
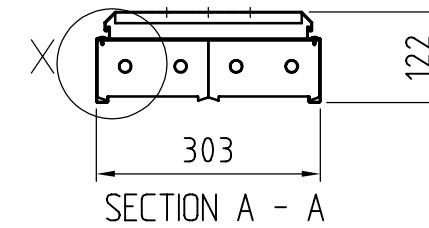
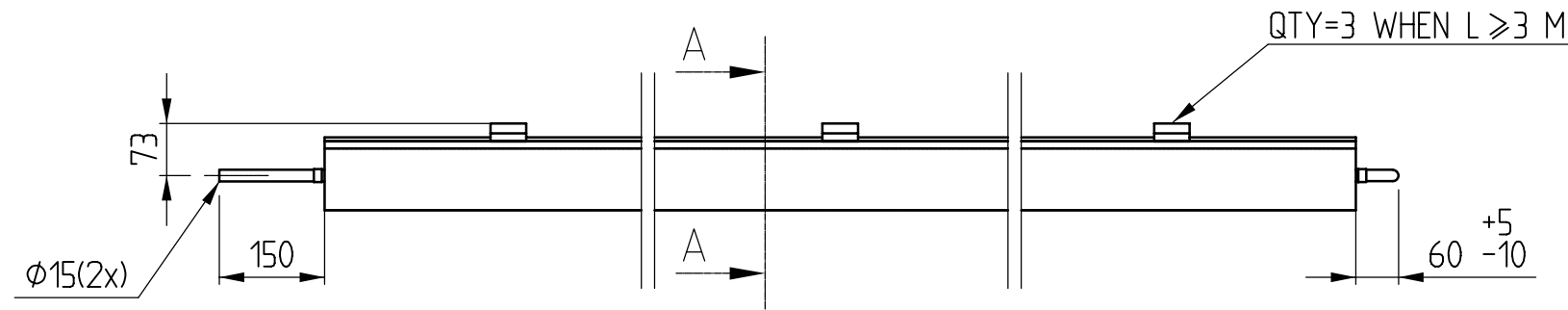




CBU-xx30-120-HP/1

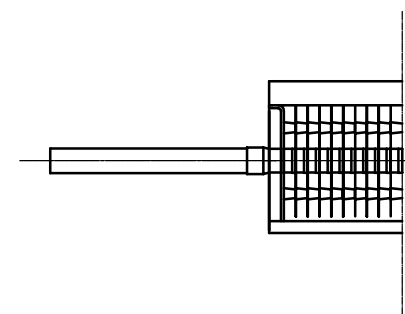
| Nr | Ant. | Ändring och/eller medd.-nr | Datum | Inf. | Godk. |
|----|------|----------------------------|--------|------|-------|
| 01 | 1 | NEW DESIGN | 000321 | JW | |
| 02 | 1 | MOUNTING CHANGED | 001103 | JW | |
| 02 | 1 | SCREW SHOWN | 001103 | JW | |



PART OF MAGNIFICATION

SCALE 1 : 2

NOT TOLERANCE INDICATED MEASUREMENTS ACC.TO ISO 2768-c



SECTION B - B

SCALE 1 : 5

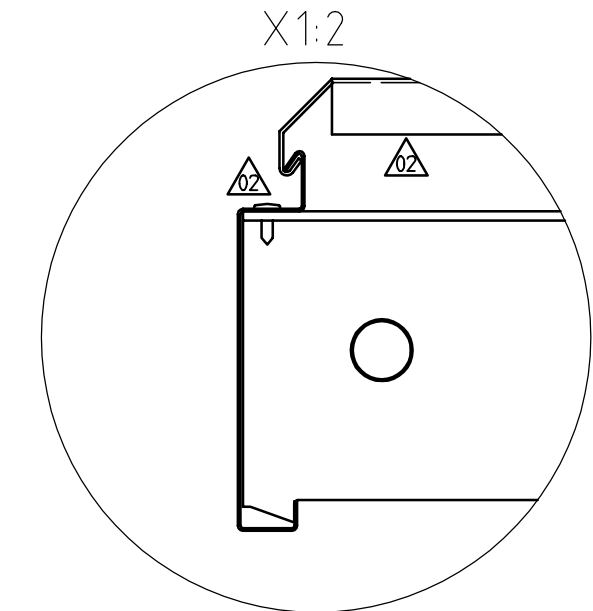
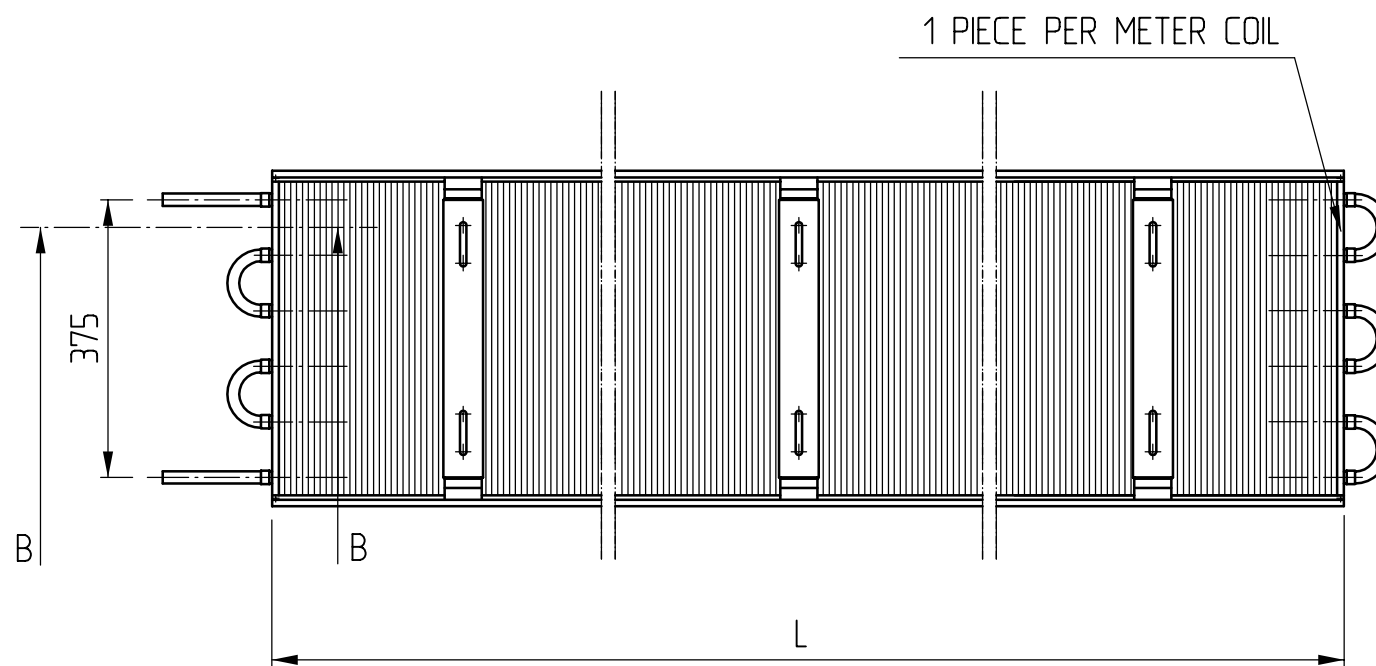
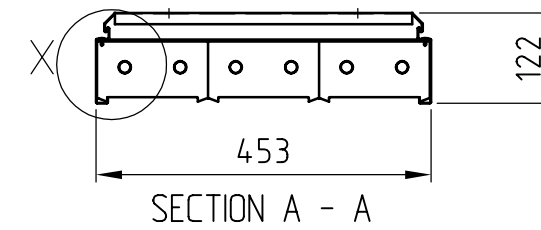
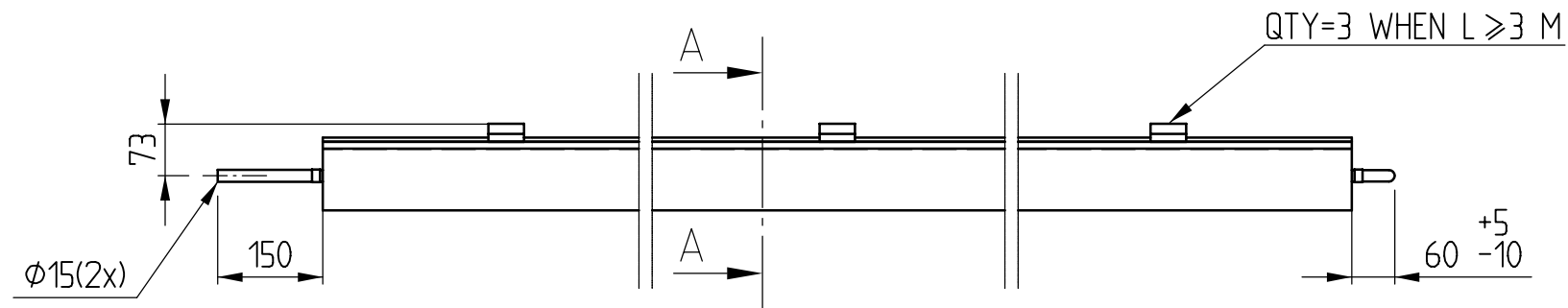
COOLING SYSTEM AB

Vretenvägen 11, S-171 54 Solna, Telefon 08-764 48 20, Telefax 08-764 67 07
E-mail: home@cosy.se, Hemsida: www.cosy.se

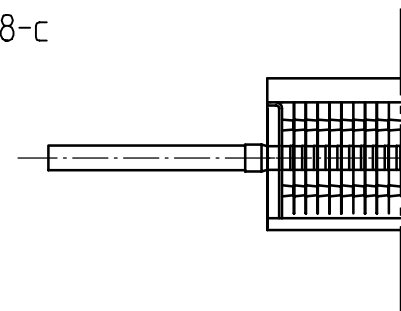


CBU-xx45-120-HP/1

| Nr | Ant. | Ändring och/eller medd-nr | Datum | Inf. | Godk. |
|----|------|---------------------------|--------|------|-------|
| 01 | 1 | NEW DESIGN | 991126 | JW | |
| 02 | 1 | MOUNTING CHANGED | 001103 | JW | |
| 02 | 1 | SCREW SHOWN | 001103 | JW | |



NOT TOLERANCE INDICATED MEASUREMENTS ACC.TO ISO 2768-c



SCALE 1 : 5

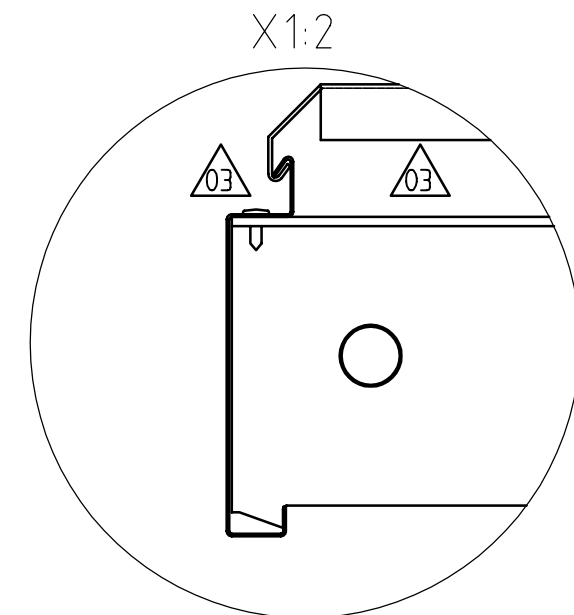
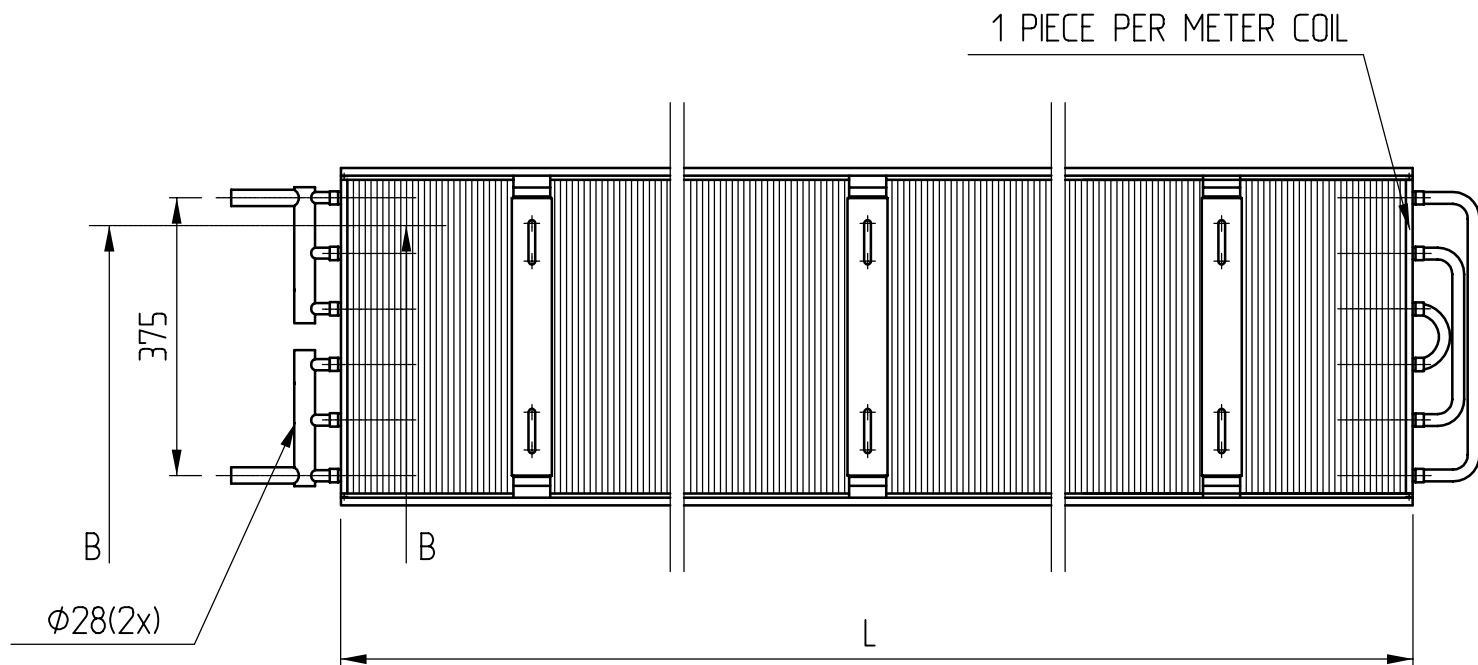
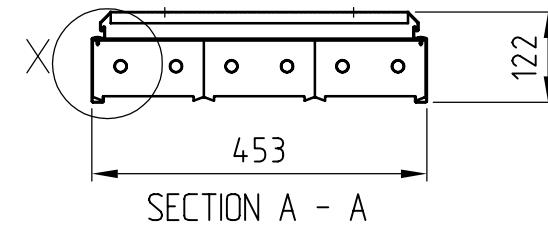
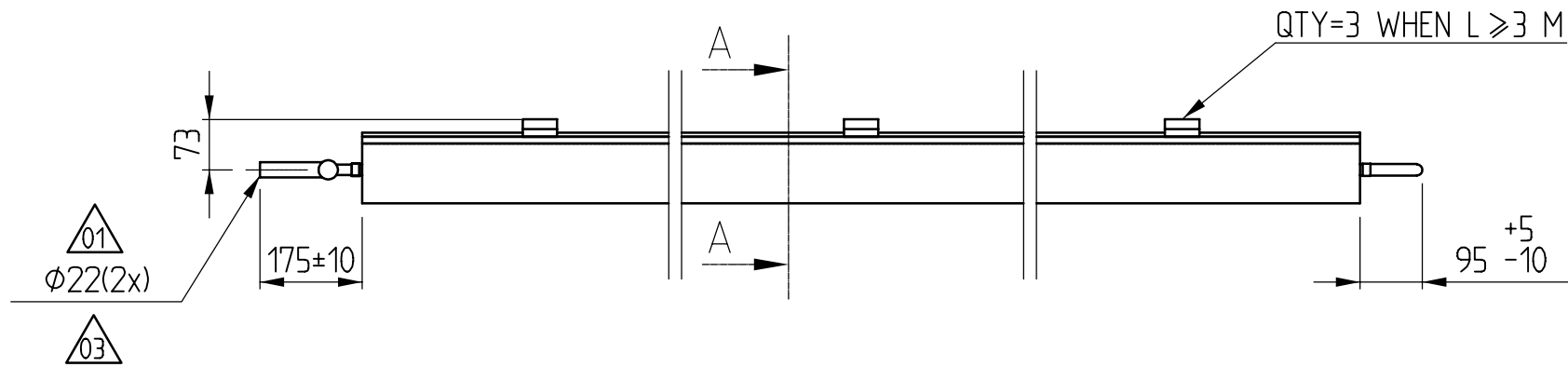
COOLING SYSTEM AB

Vretenvägen 11, S-171 54 Solna, Telefon 08-764 48 20, Telefax 08-764 67 07
E-mail: home@cosy.se, Hemsida: www.cosy.se



CBU-xx45-120-HP/3

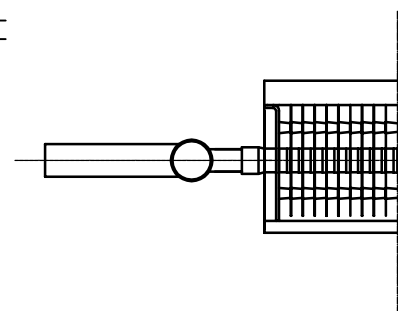
| Nr | Ant. | Ändring och/eller medd.-nr | Datum | Inf. | Godk. |
|----|------|----------------------------|--------|------|-------|
| 01 | 1 | φ15-φ28 WAS BEFORE φ22 | 960911 | M.Å | |
| 02 | 1 | NEW DESIGN | 000322 | JW | |
| 03 | 1 | MOUNTING CHANGED | 001103 | JW | |
| 03 | 1 | SCREW SHOWN | 001103 | JW | |
| 03 | 1 | PIPE CON. CHANGED TO φ22 | 001103 | JW | |



PART OF MAGNIFICATION

SCALE 1 : 2

NOT TOLERANCE INDICATED MEASUREMENTS ACC.TO ISO 2768-c



SECTION B - B

SCALE 1 : 5

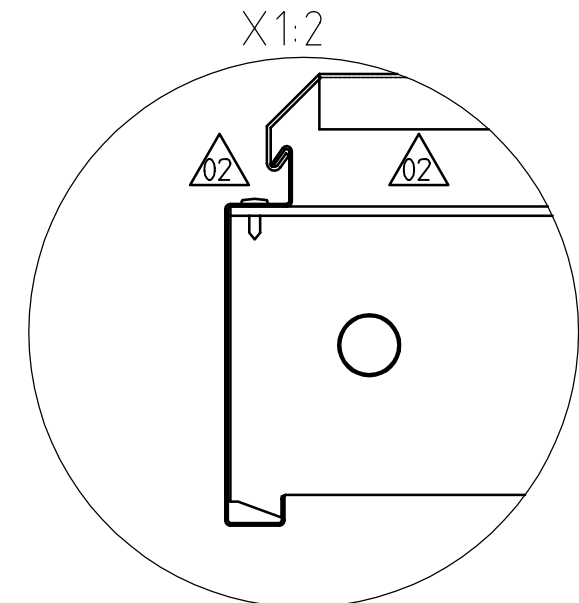
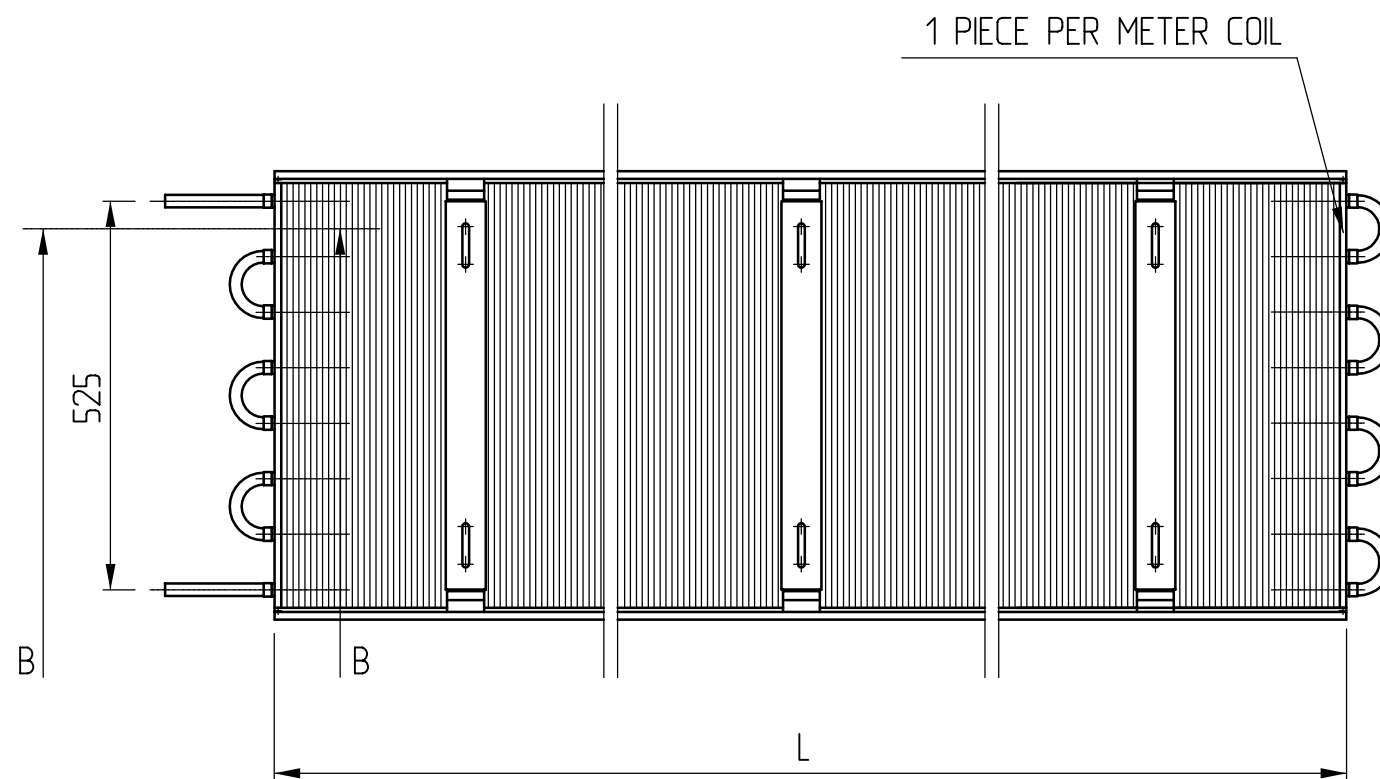
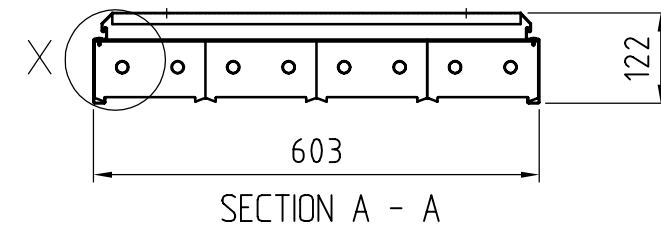
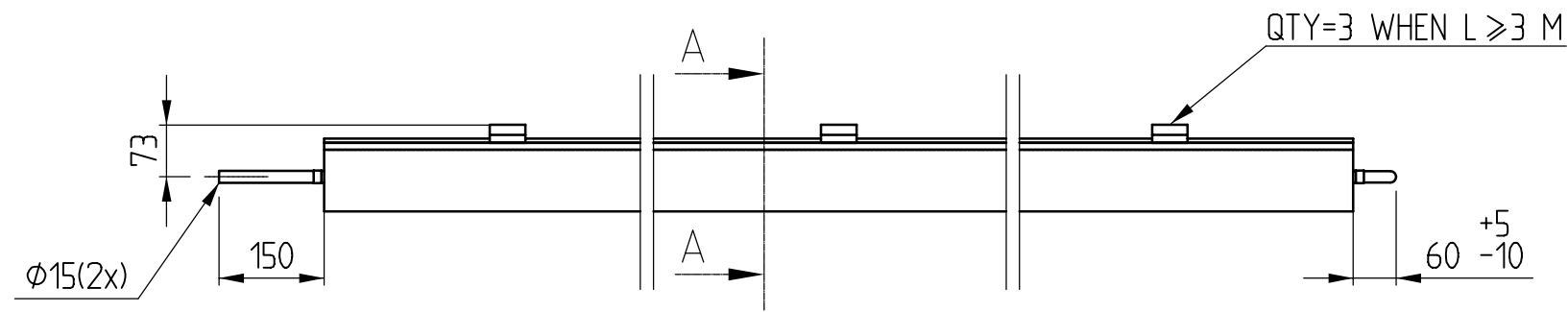
COOLING SYSTEM AB

Vretenvägen 11, S-171 54 Solna, Telefon 08-764 48 20, Telefax 08-764 67 07
E-mail: home@cosy.se, Hemsida: www.cosy.se



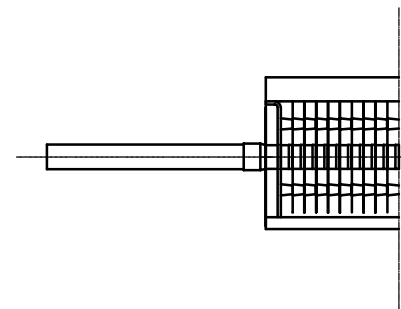
CBU-xx60-120-HP/1

| Nr | Ant. | Ändring och/eller medd.-nr | Datum | Inf. | Godk. |
|----|------|----------------------------|--------|------|-------|
| 01 | 1 | NEW DESIGN | 000322 | JW | |
| 02 | 1 | MOUNTING CHANGED | 001103 | JW | |
| 02 | 1 | SCREW SHOWN | 001103 | JW | |



PART OF MAGNIFICATION
SCALE 1 : 2

NOT TOLERANCE INDICATED MEASUREMENTS ACC.TO ISO 2768-c



SECTION B - B
SCALE 1 : 5

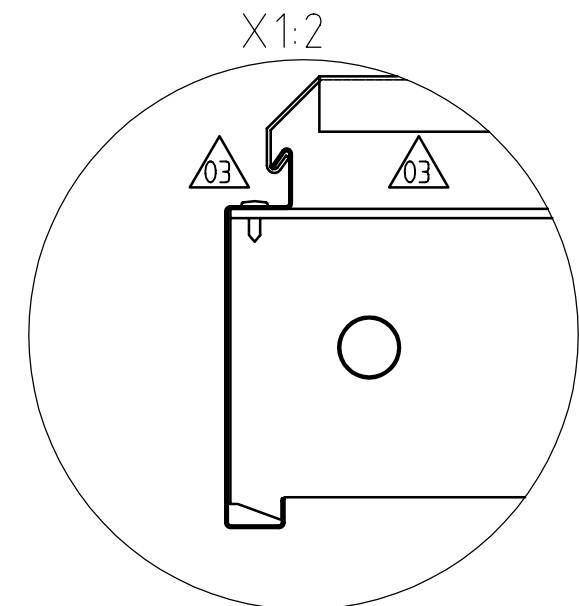
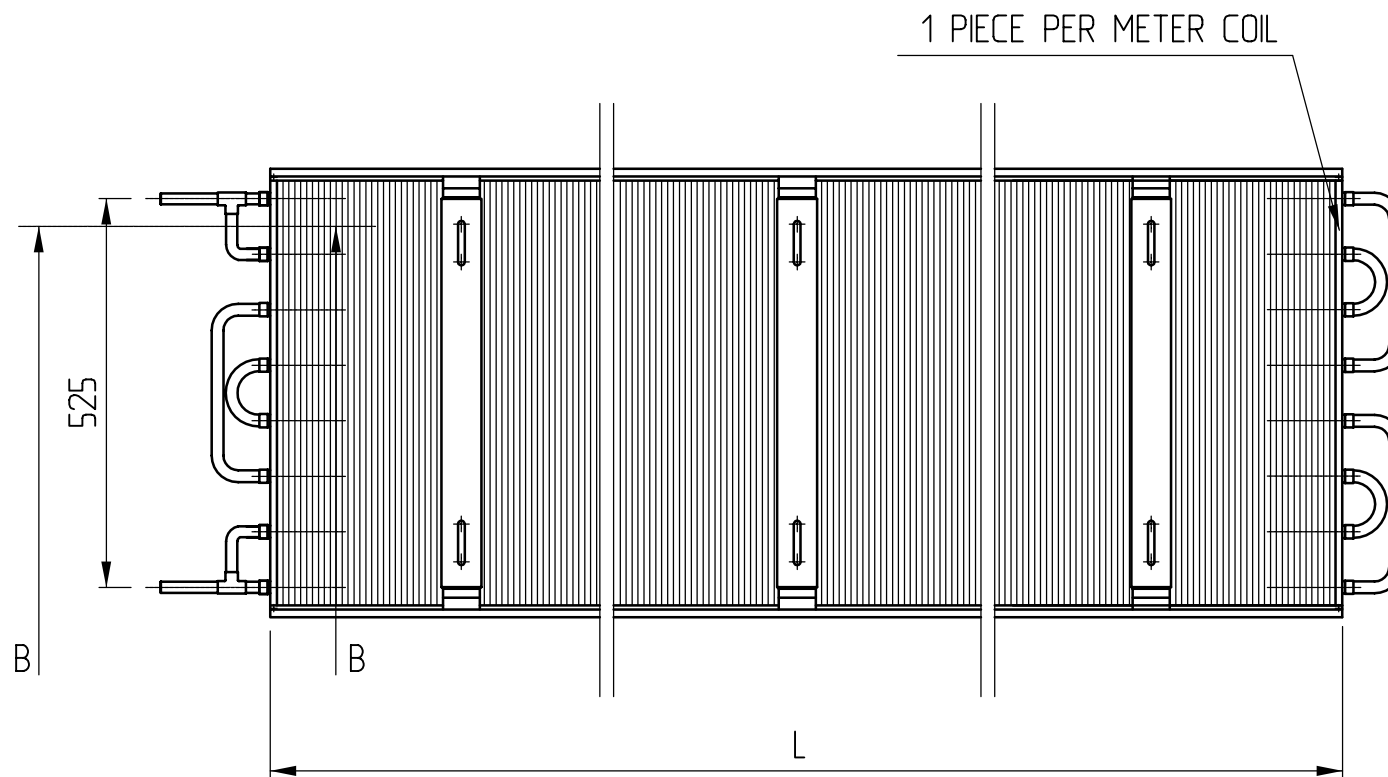
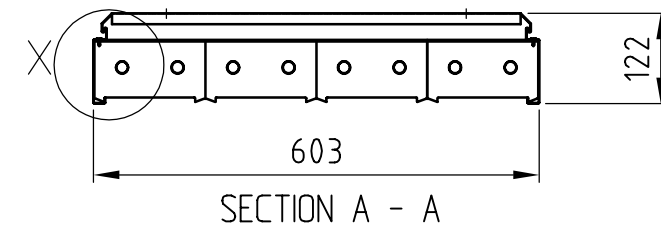
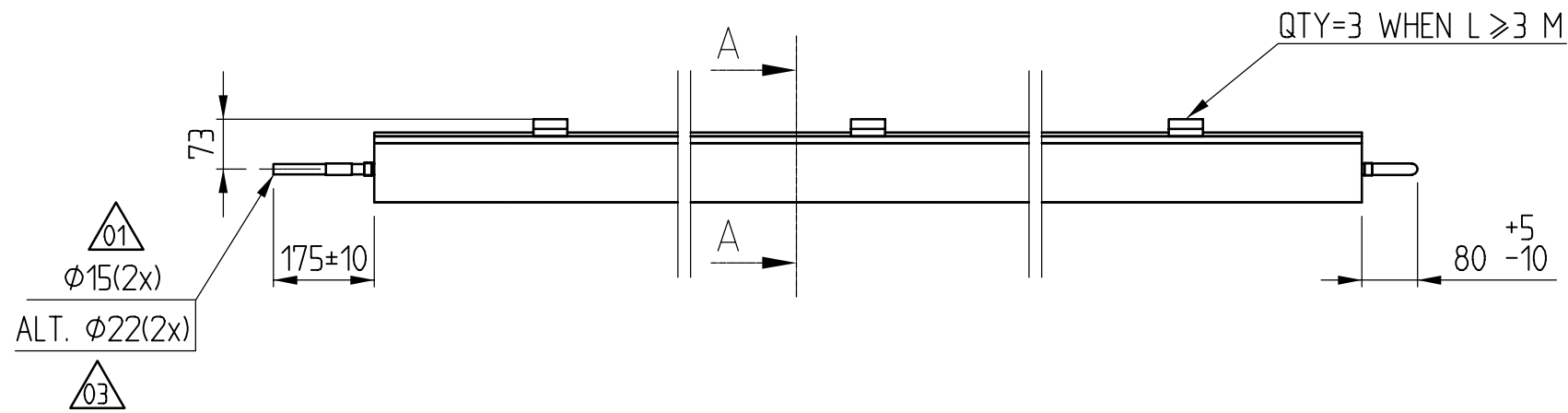
COOLING SYSTEM AB

Vretenvägen 11, S-171 54 Solna, Telefon 08-764 48 20, Telefax 08-764 67 07
E-mail: home@cosy.se, Hemsida: www.cosy.se



CBU-xx60-120-HP/2

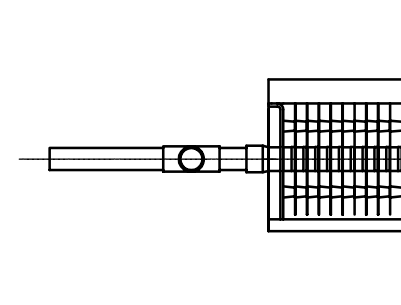
| Nr | Ant. | Ändring och/eller medd.-nr | Datum | Inf. | Godk. |
|----|------|----------------------------|--------|------|-------|
| 01 | 1 | Ø15-Ø28 WAS BEFORE Ø22 | 960911 | M.Å | |
| 02 | 1 | NEW DESIGN | 000322 | JW | |
| 03 | 1 | MOUNTING CHANGED | 001103 | JW | |
| 03 | 1 | SCREW SHOWN | 001103 | JW | |
| 03 | 1 | PIPE CON. ALT. Ø22 ADDED | 001103 | JW | |



PART OF MAGNIFICATION

SCALE 1 : 2

NOT TOLERANCE INDICATED MEASUREMENTS ACC.TO ISO 2768-c



SECTION B - B

SCALE 1 : 5

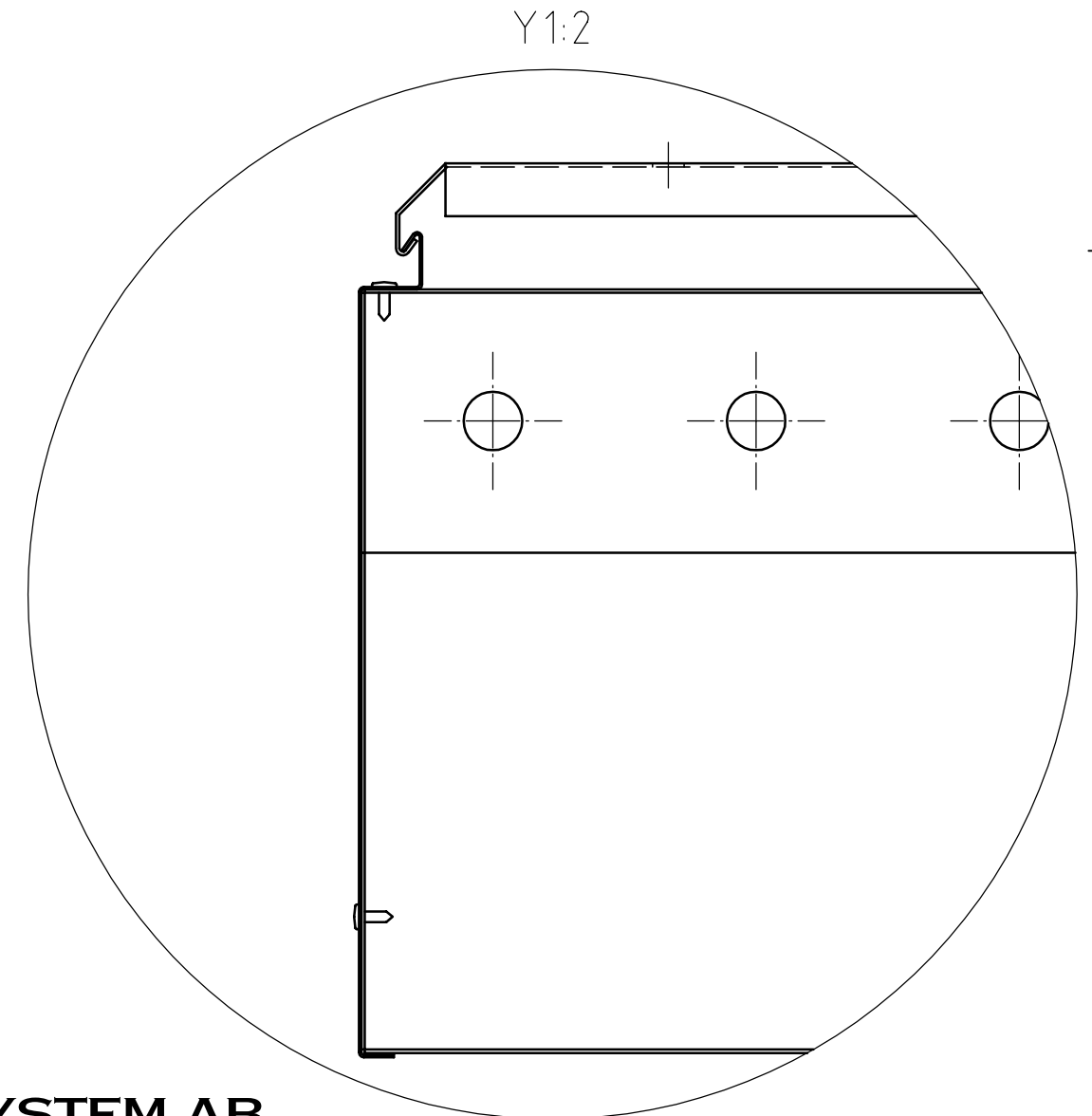
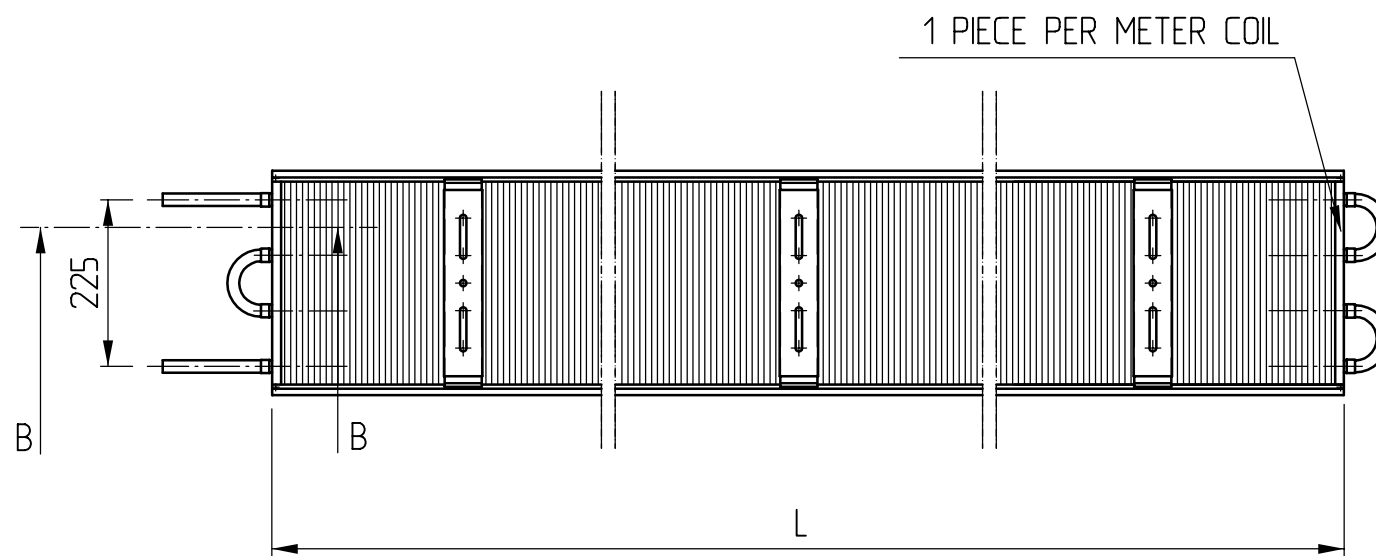
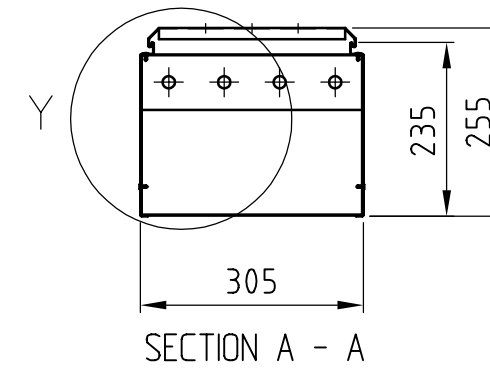
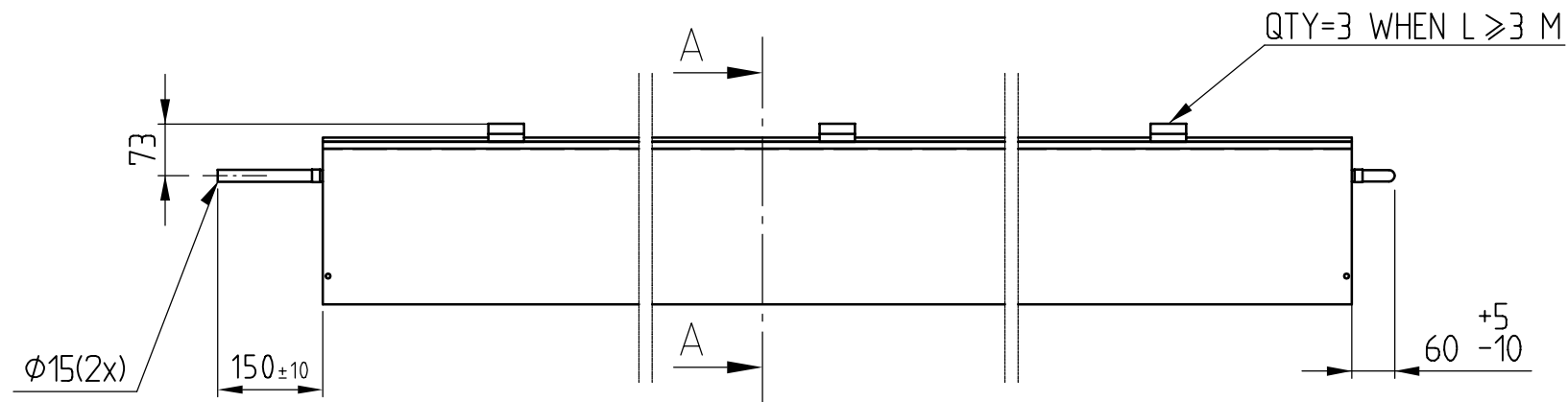
COOLING SYSTEM AB

Vretenvägen 11, S-171 54 Solna, Telefon 08-764 48 20, Telefax 08-764 67 07
E-mail: home@cosy.se, Hemsida: www.cosy.se

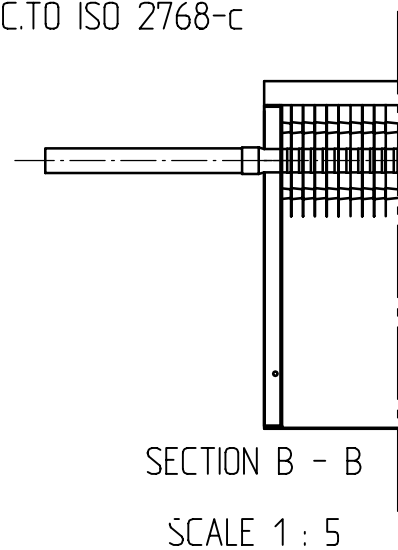


CBU-xx30-235-HP/1

| | | | | | |
|----|------|----------------------------|-------|------|-------|
| Nr | Ant. | Ändring och/eller medd.-nr | Datum | Inf. | Godk. |
|----|------|----------------------------|-------|------|-------|



NOT TOLERANCE INDICATED MEASUREMENTS ACC.TO ISO 2768-c



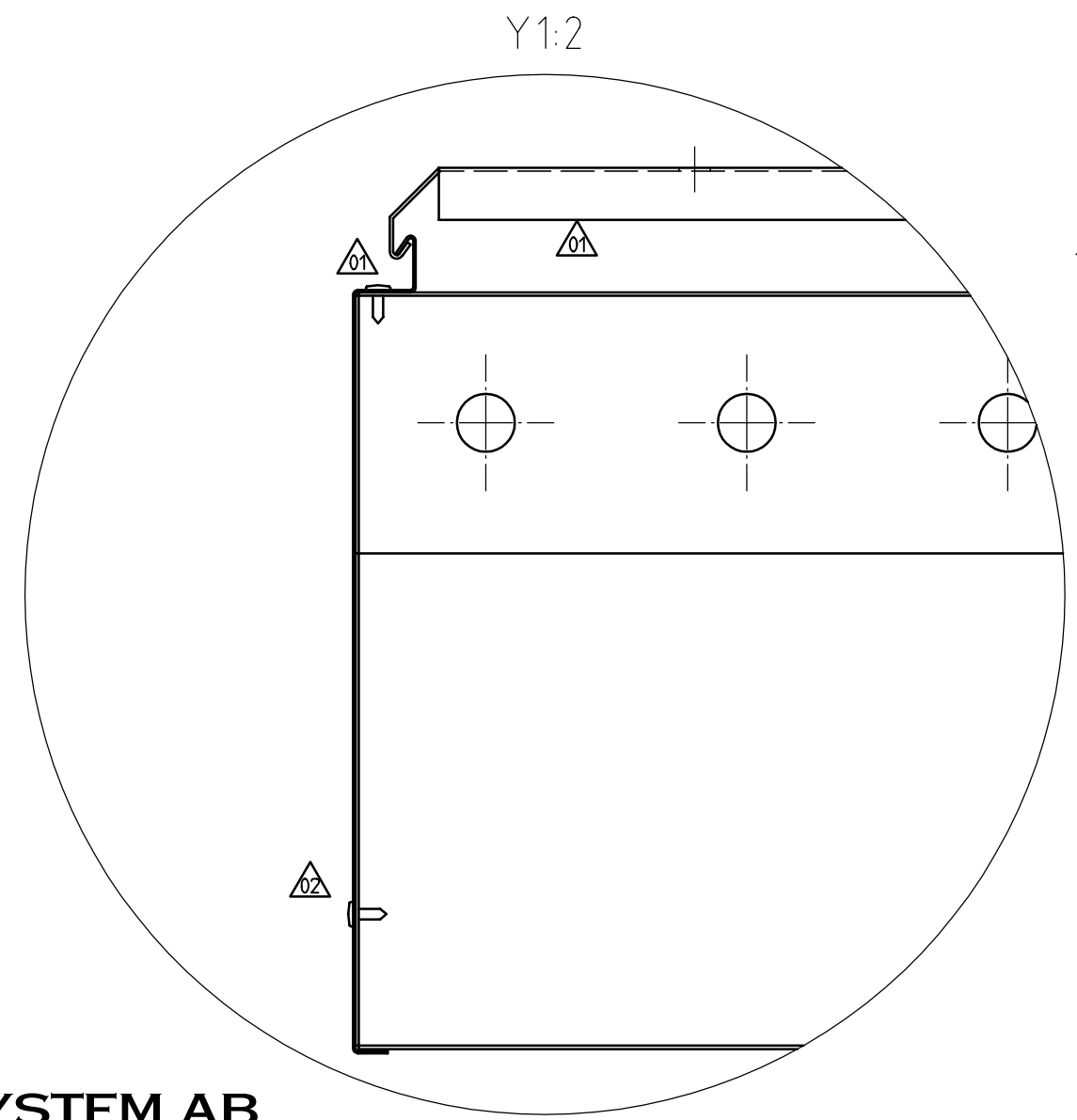
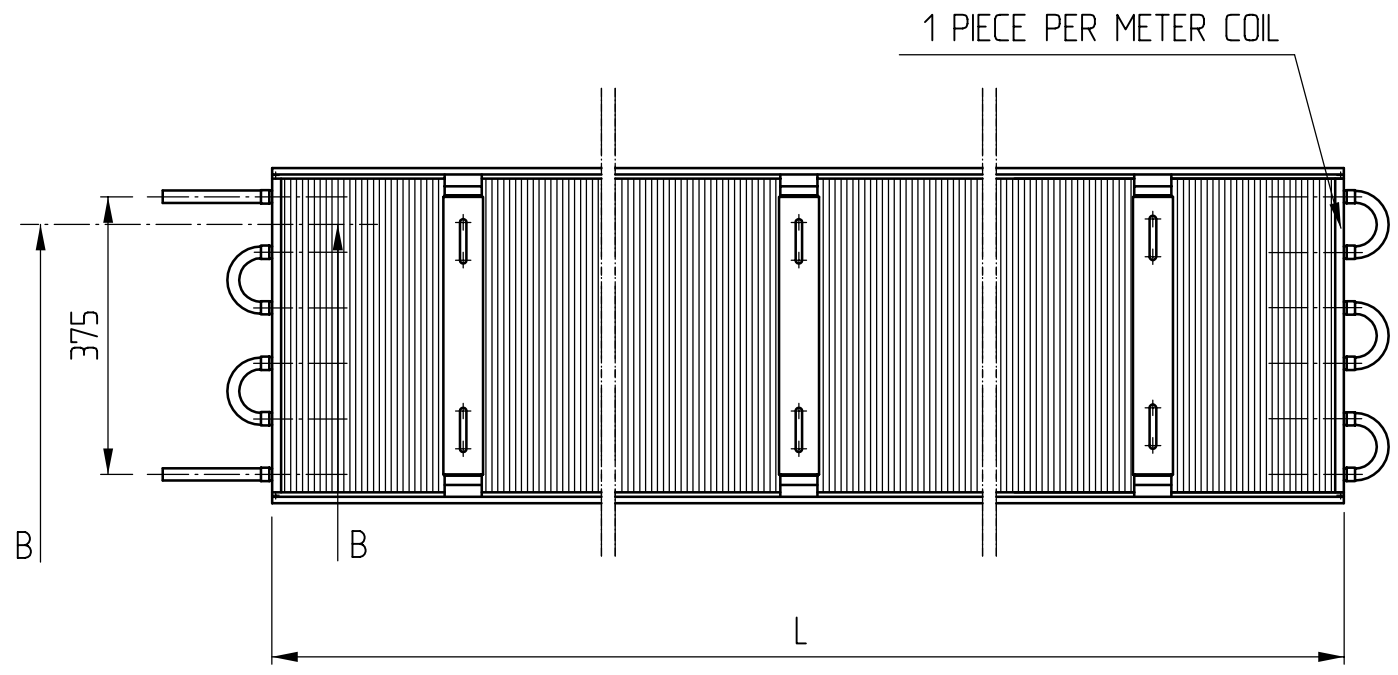
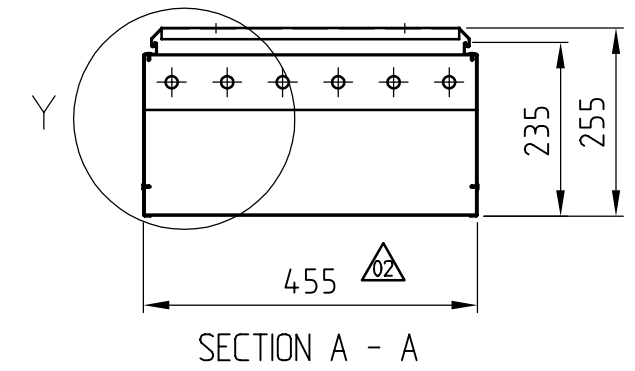
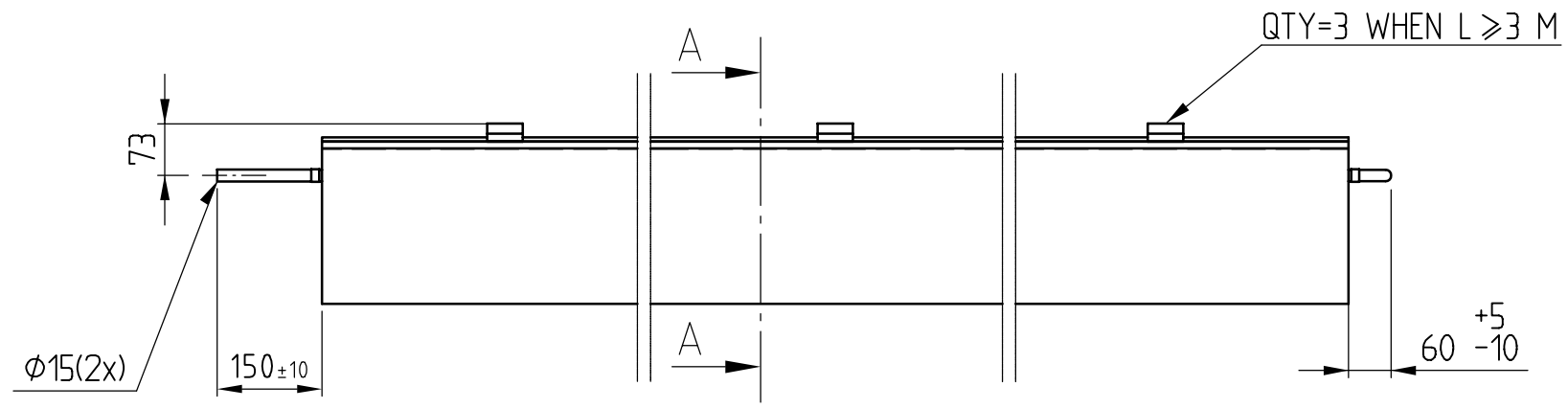
COOLING SYSTEM AB

Vretenvägen 11, S-171 54 Solna, Telefon 08-764 48 20, Telefax 08-764 67 07
E-mail: home@cosy.se, Hemsida: www.cosy.se

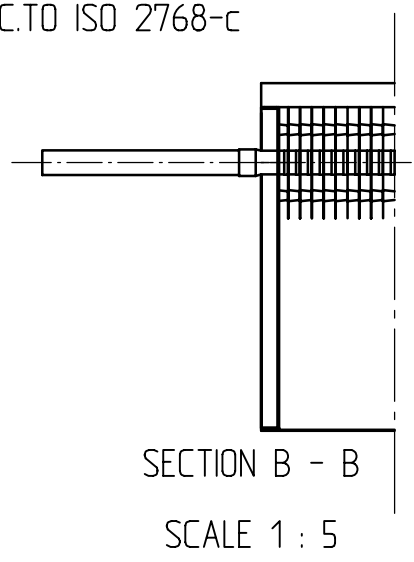


CBU-xx45-235-HP/1

| Nr | Ant. | Ändring och/eller medd-nr | Datum | Inf. | Godk. |
|----|------|---------------------------|--------|------|-------|
| 01 | 1 | MOUNTING CHANGED | 001115 | JW | |
| 01 | 1 | SCREW SHOWN | 001115 | JW | |
| 02 | 2 | SCREW SHOWN, NEW MEASURE | 010608 | JW | |



NOT TOLERANCE INDICATED MEASUREMENTS ACC.TO ISO 2768-c



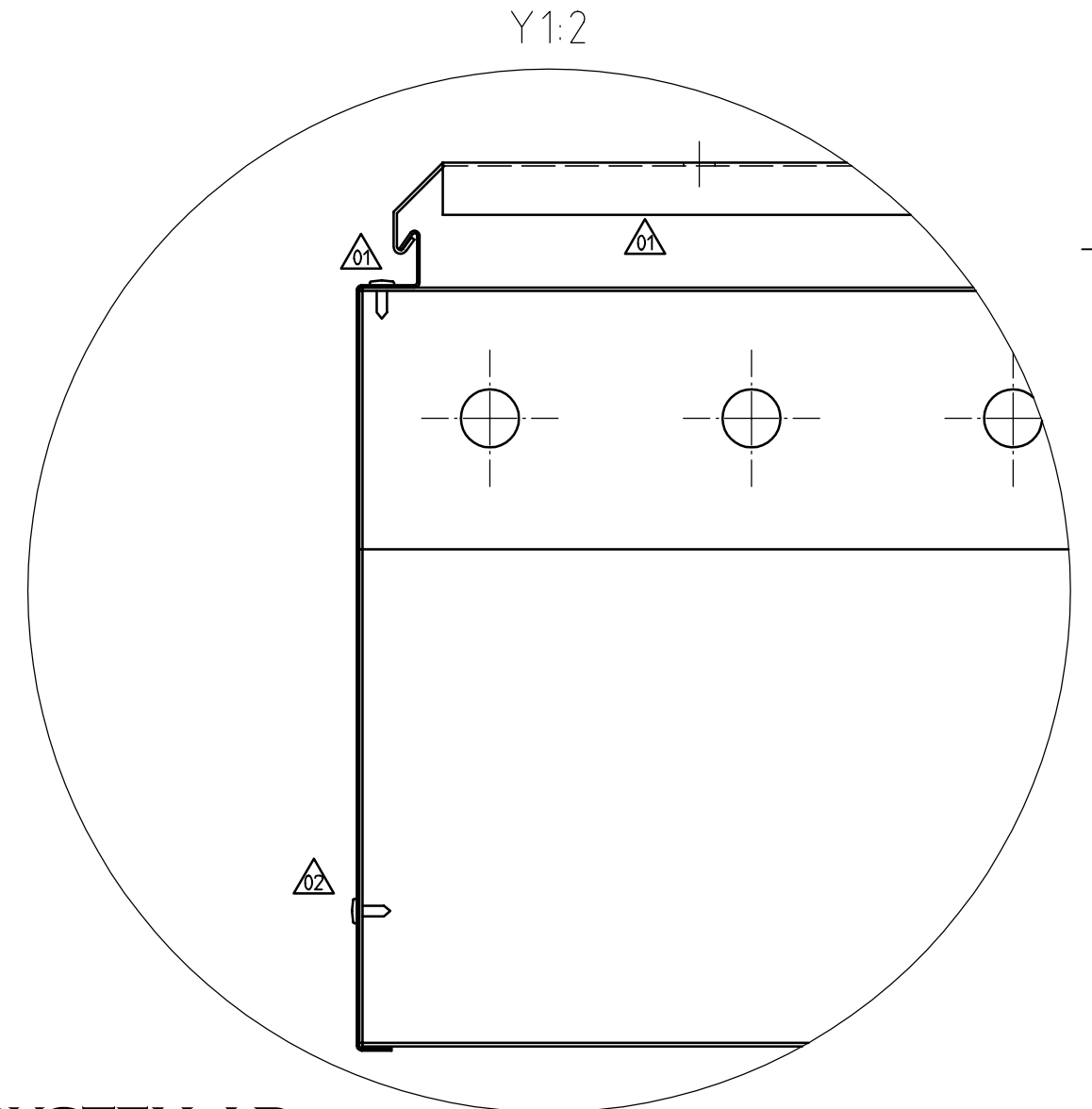
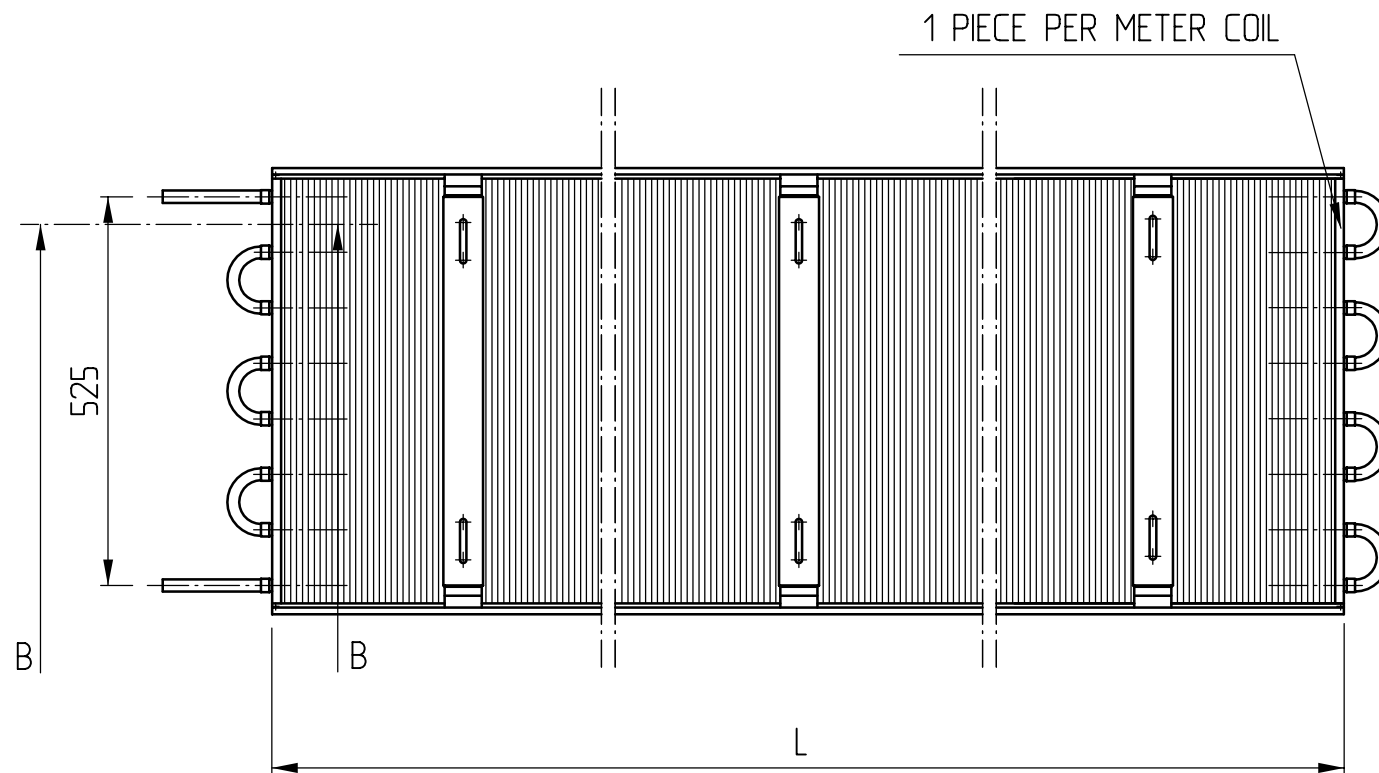
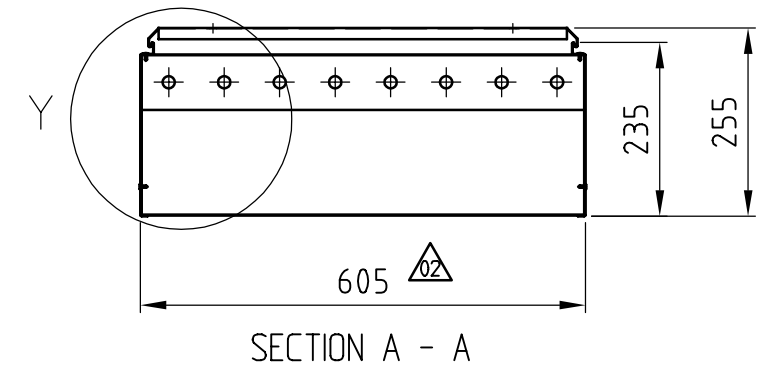
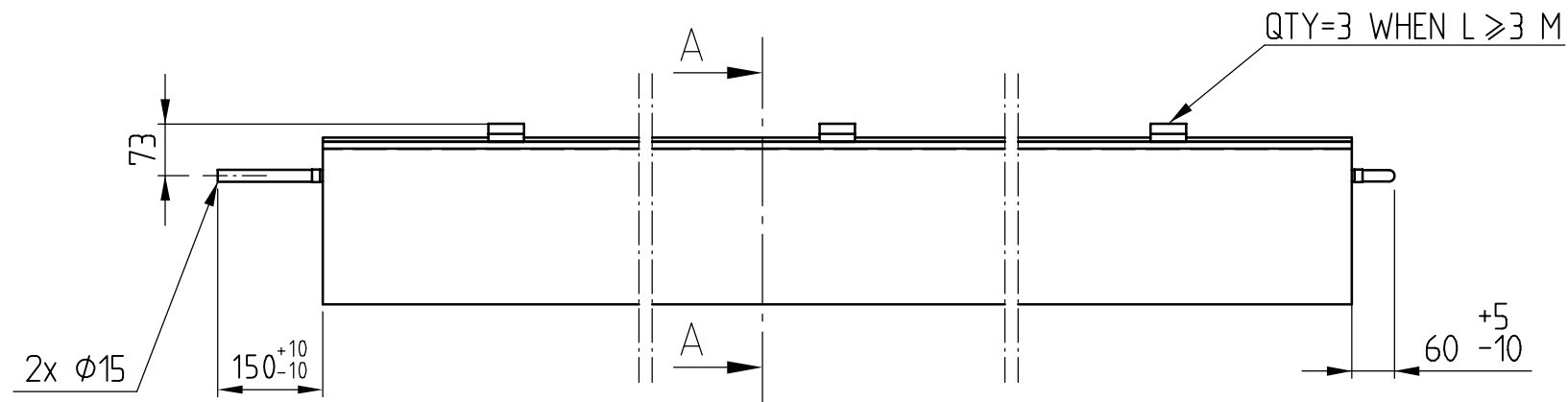
COOLING SYSTEM AB

Vretenvägen 11, S-171 54 Solna, Telefon 08-764 48 20, Telefax 08-764 67 07
 E-mail: home@cosy.se, Hemsida: www.cosy.se

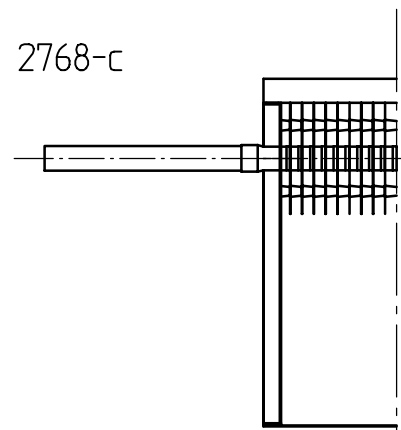


CBU-xx60-235-HP/1

| Nr | Ant. | Ändring och/eller medd-nr | Datum | Inf. | Godk. |
|----|------|---------------------------|--------|------|-------|
| 01 | 1 | MOUNTING CHANGED | 001115 | JW | |
| 01 | 1 | SCREW SHOWN | 001115 | JW | |
| 02 | 2 | SCREW SHOWN, NEW MEASURE | 010608 | JW | |



NOT TOLERANCE INDICATED MEASUREMENTS ACC.TO ISO 2768-c



SECTION B - B

SCALE 1 : 5

COOLING SYSTEM AB

Vretenvägen 11, S-171 54 Solna, Telefon 08-764 48 20, Telefax 08-764 67 07

E-mail: home@cosy.se, Hemsida: www.cosy.se

PART OF MAGNIFICATION