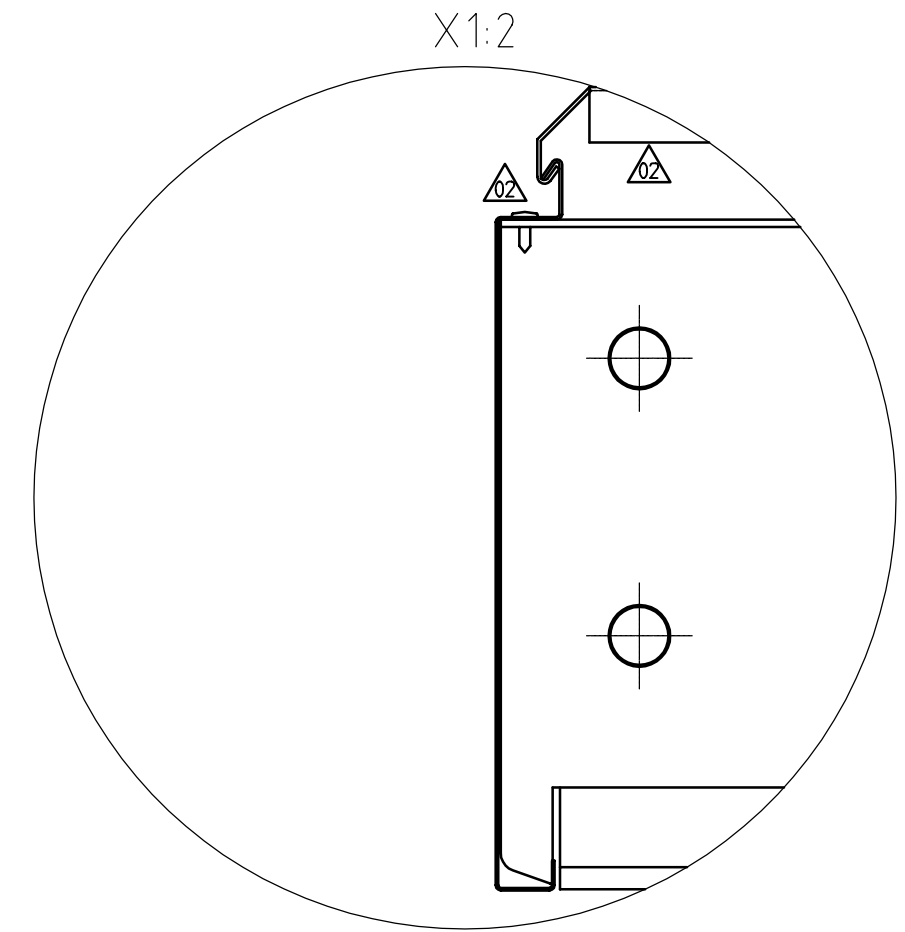
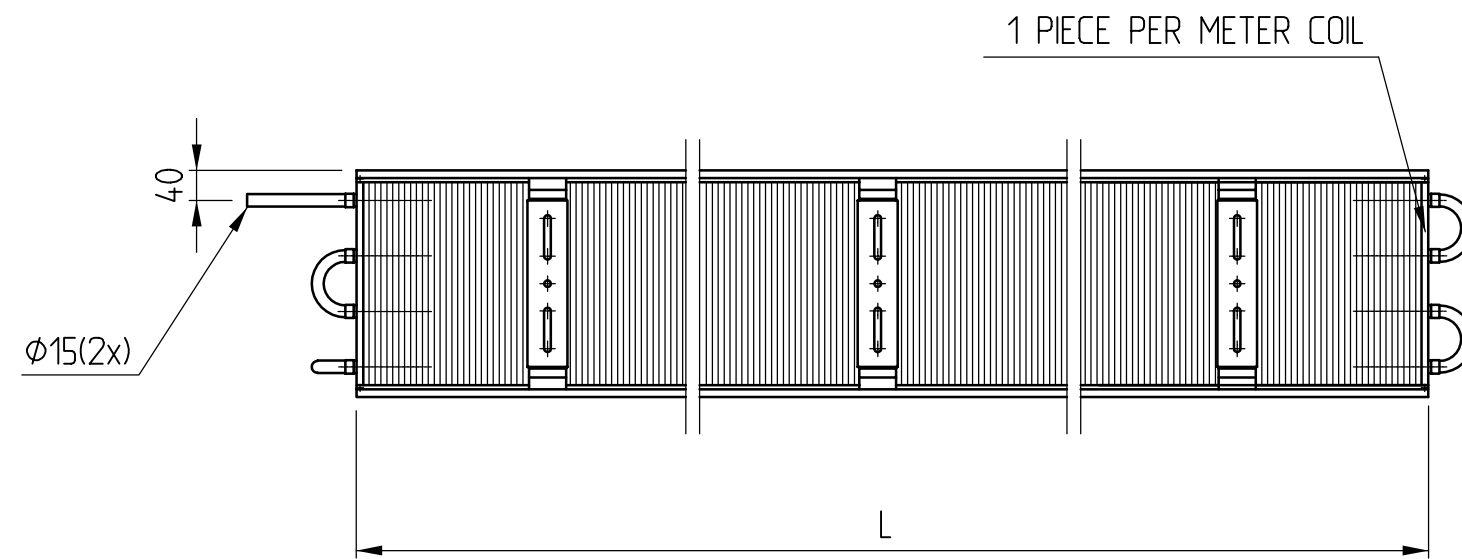
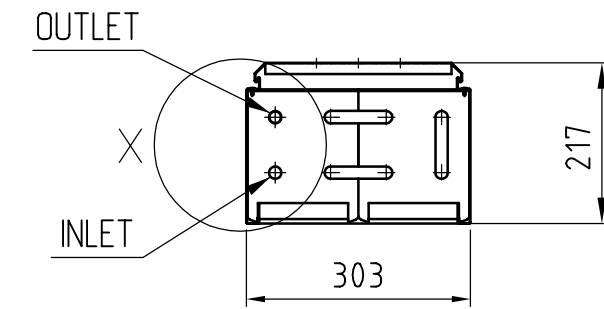
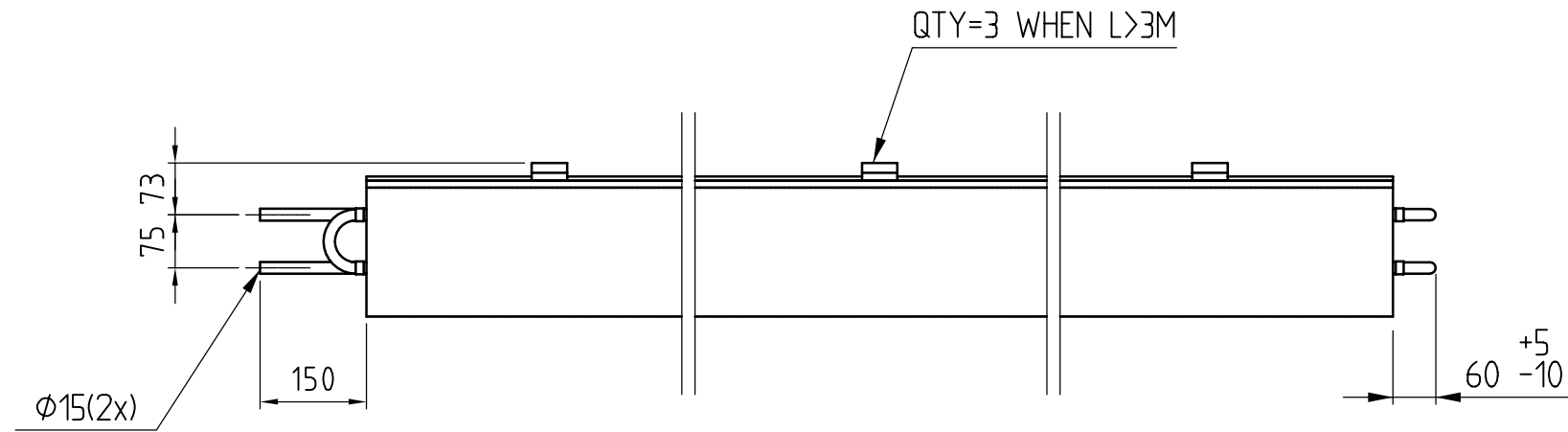




CABU-xx30-HP/1

Nr	Ant.	Ändring och/eller medd.-nr	Datum	Inf.	Godk.
01	1	NEW DESIGN	000331	JW	
02	1	MOUNTING CHANGED	001103	JW	
02	1	SCREW SHOWN	001103	JW	



NOT TOLERANCE INDICATED MEASUREMENTS ACC.TO ISO 2768-c

PART OF MAGNIFICATION

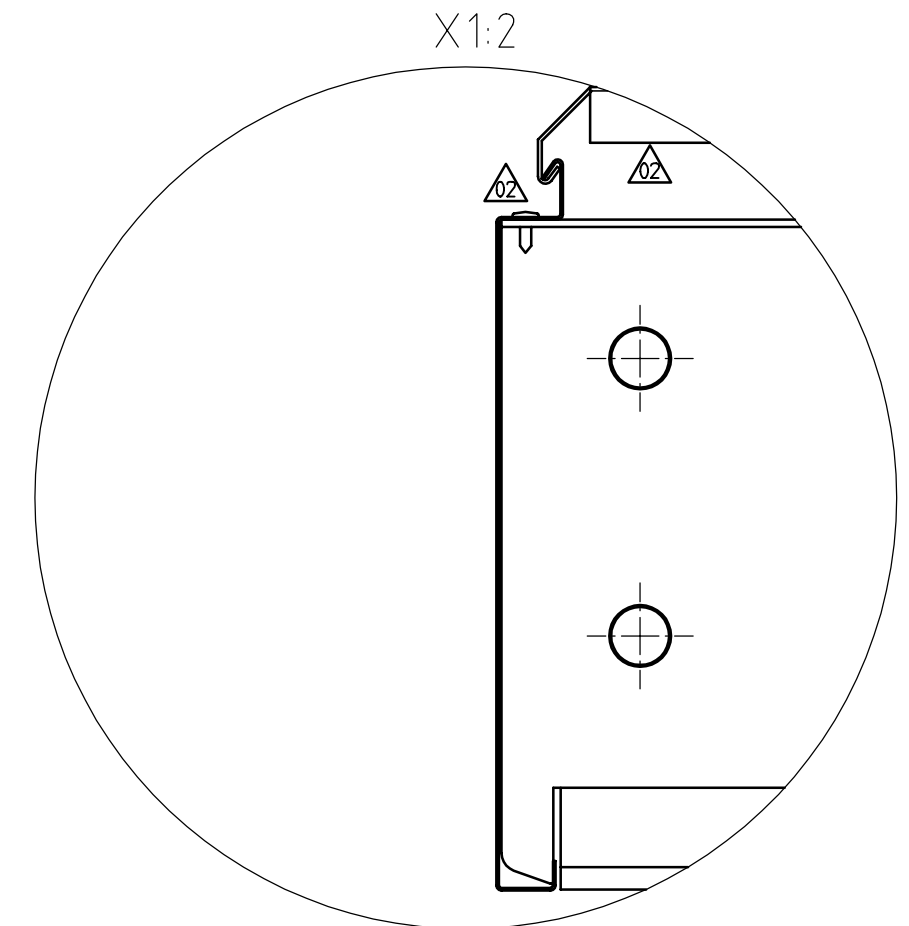
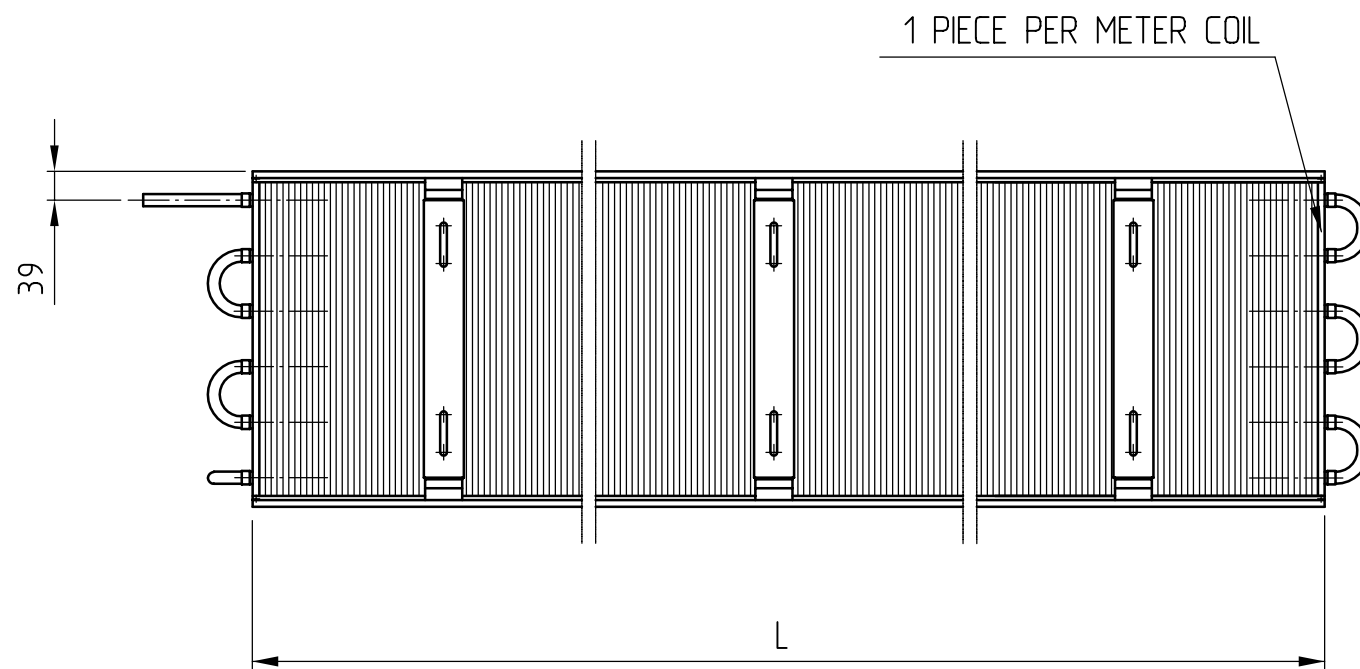
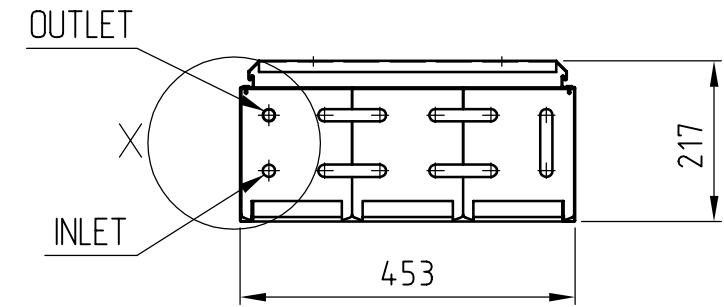
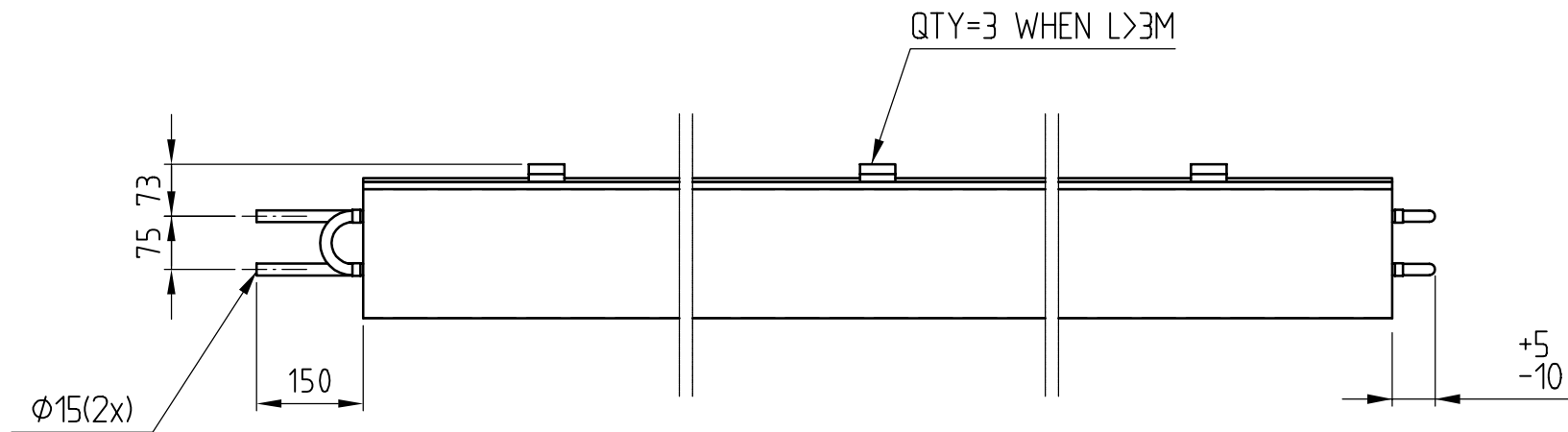
COOLING SYSTEM AB

Vretenvägen 11, S-171 54 Solna, Telefon 08-764 48 20, Telefax 08-764 67 07
E-mail: home@cosy.se, Hemsida: www.cosy.se



CABU-xx45-HP/1

Nr	Ant.	Ändring och/eller medd.-nr	Datum	Inf.	Godk.
01	1	NEW DESIGN	991126	JW	
02	1	MOUNTING CHANGED	001103	JW	
02	1	SCREW SHOWN	001103	JW	



NOT TOLERANCE INDICATED MEASUREMENTS ACC.TO ISO 2768-c

PART OF MAGNIFICATION

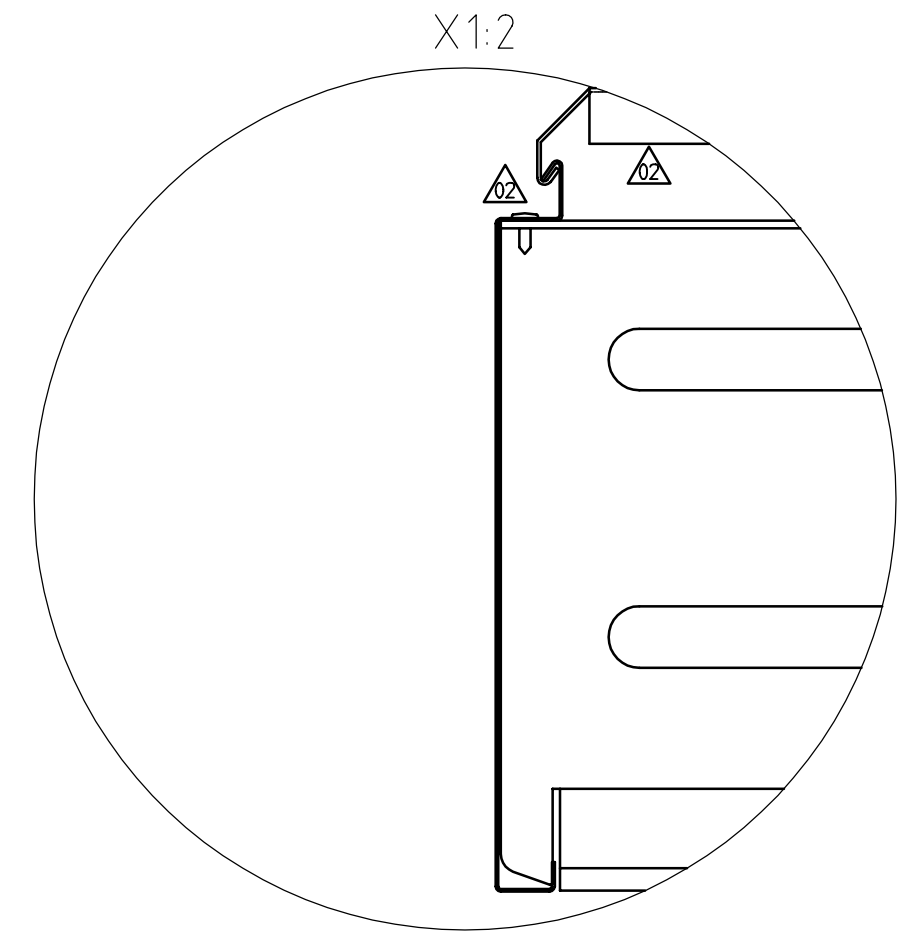
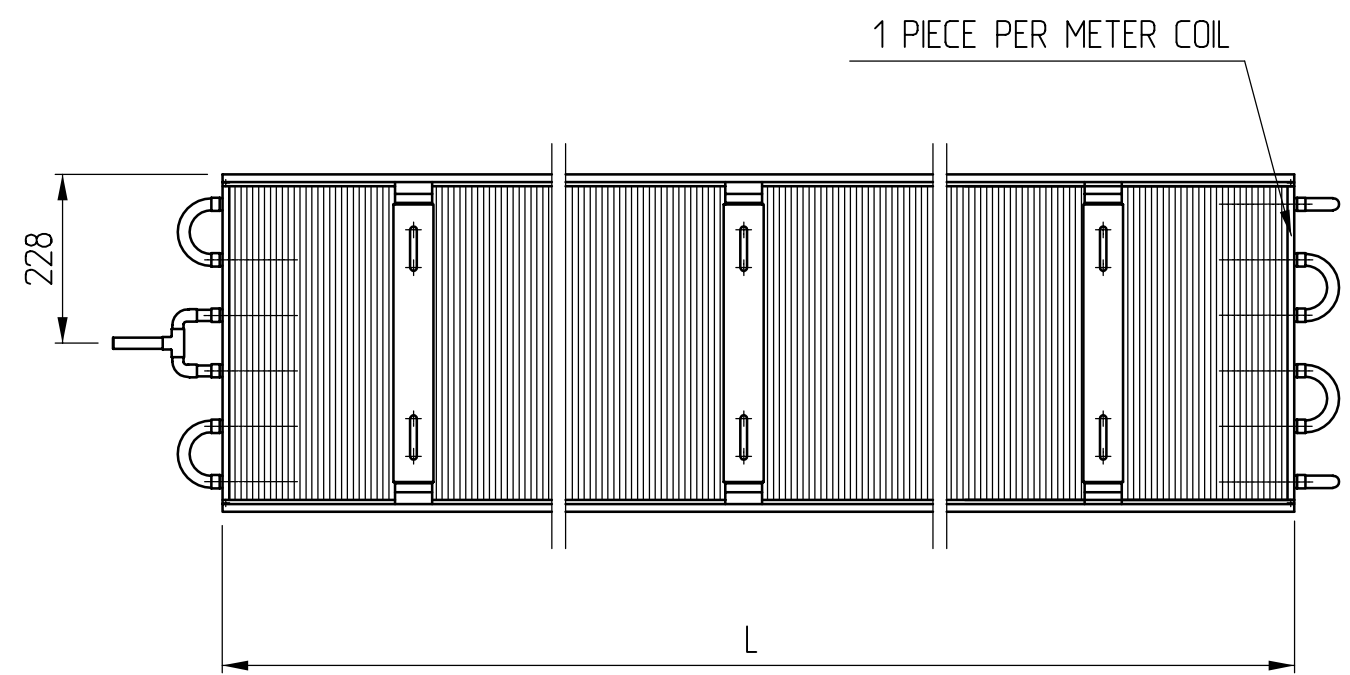
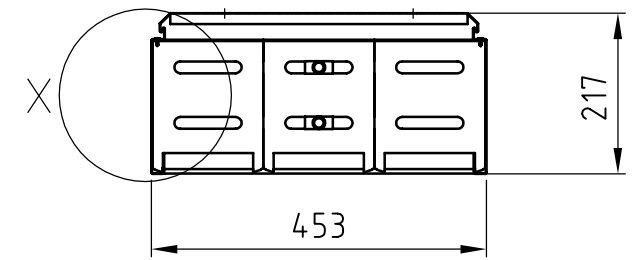
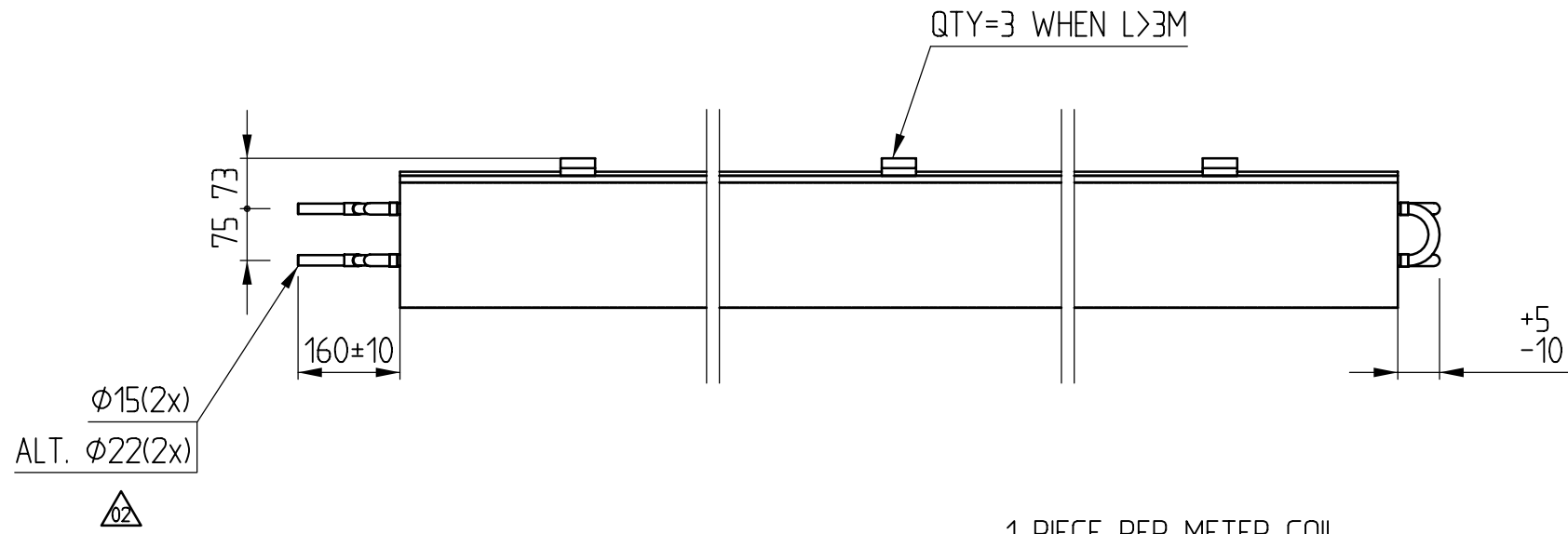
COOLING SYSTEM AB

Vretenvägen 11, S-171 54 Solna, Telefon 08-764 48 20, Telefax 08-764 67 07
E-mail: home@cosy.se, Hemsida: www.cosy.se



CABU-xx45-HP/2

Nr	Ant.	Ändring och/eller medd.-nr	Datum	Inf.	Godk.
01	1	NEW DESIGN	000331	JW	
02	1	MOUNTING CHANGED	001103	JW	
02	1	SCREW SHOWN	001103	JW	
02	1	PIPE CON. ALT. $\phi 22$ ADDED	001103	JW	



NOT TOLERANCE INDICATED MEASUREMENTS ACC.TO ISO 2768-c

PART OF MAGNIFICATION

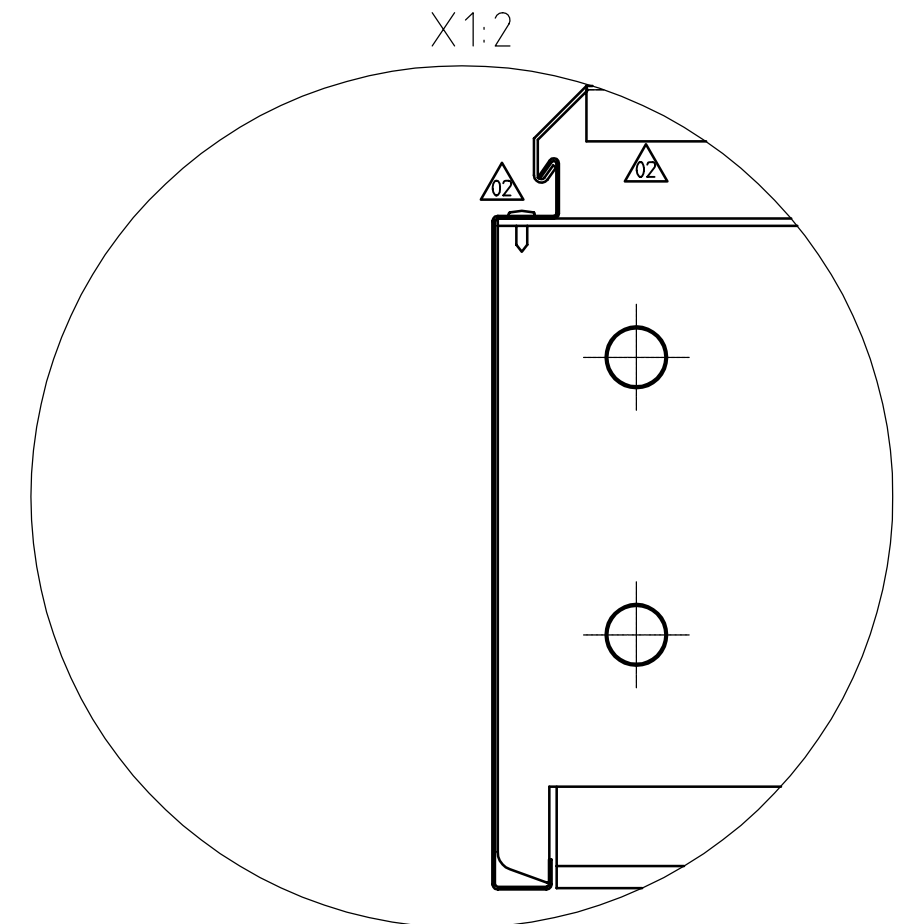
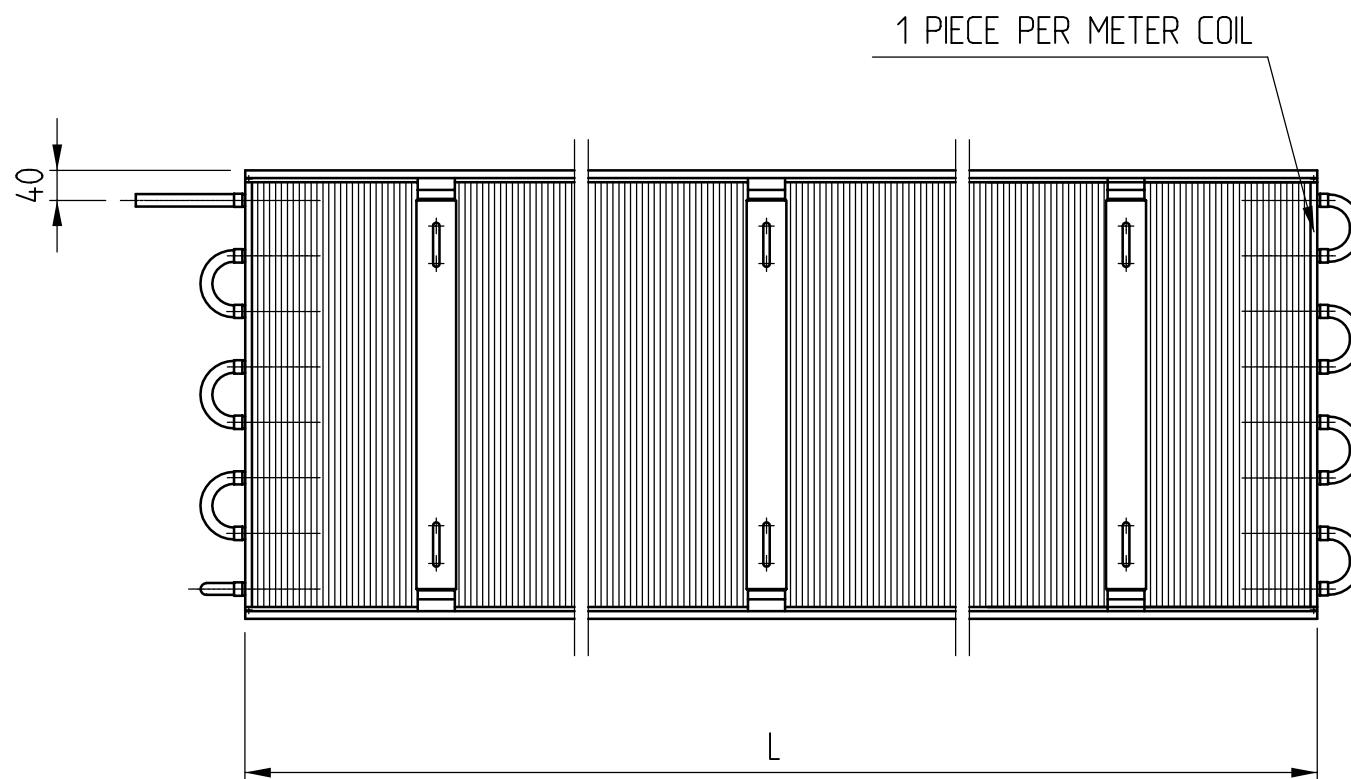
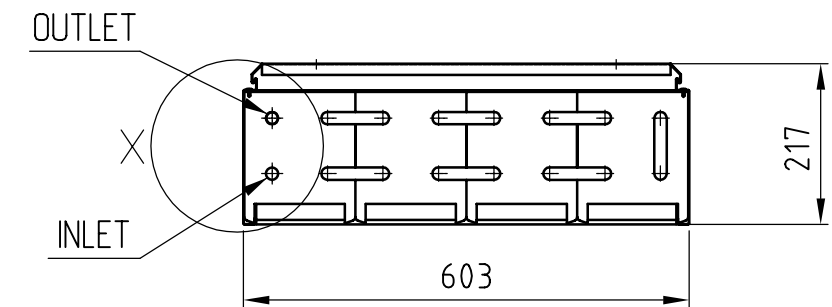
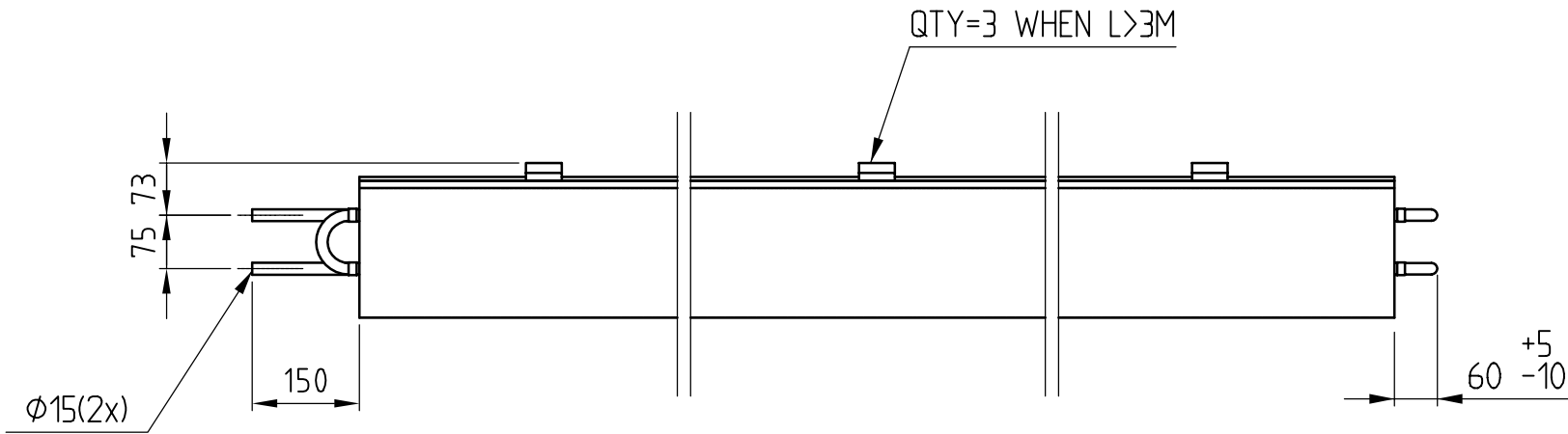
COOLING SYSTEM AB

Vretenvägen 11, S-171 54 Solna, Telefon 08-764 48 20, Telefax 08-764 67 07
E-mail: home@cosy.se, Hemsida: www.cosy.se



CABU-xx60-HP/1

Nr	Ant.	Ändring och/eller medd-nr	Datum	Inf.	Godk.
01	1	NEW DESIGN	000331	JW	
02	1	MOUNTING CHANGED	001103	JW	
02	1	SCREW SHOWN	001103	JW	



NOT TOLERANCE INDICATED MEASUREMENTS ACC.TO ISO 2768-c

PART OF MAGNIFICATION

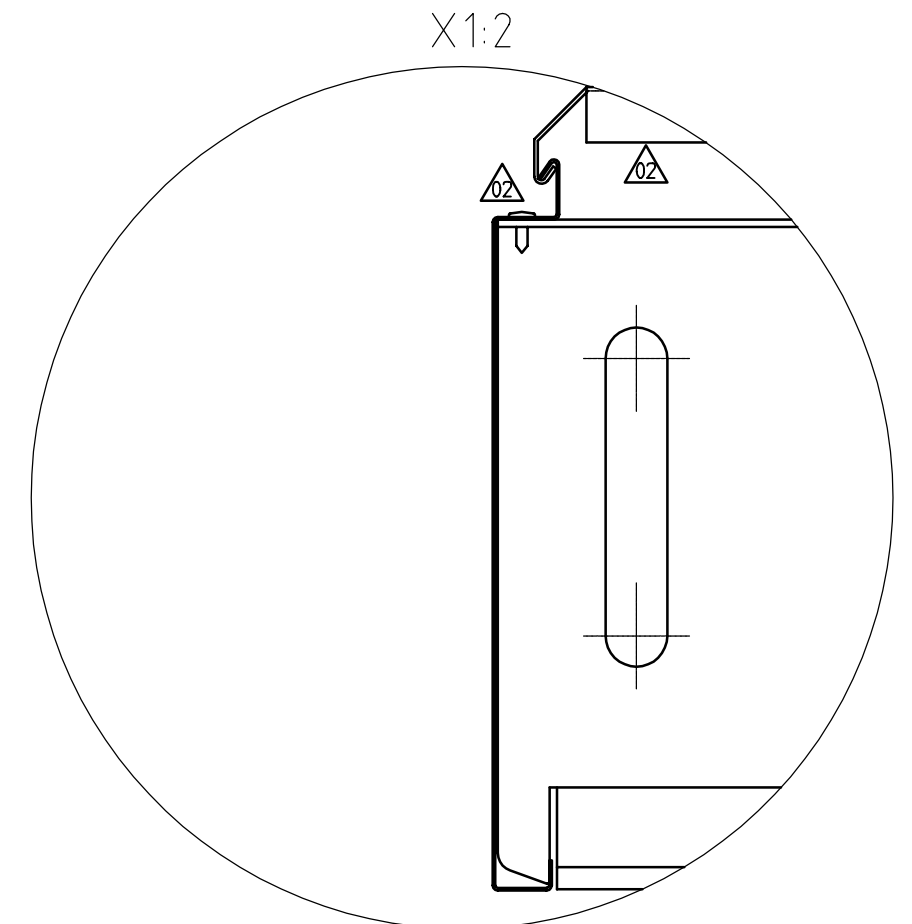
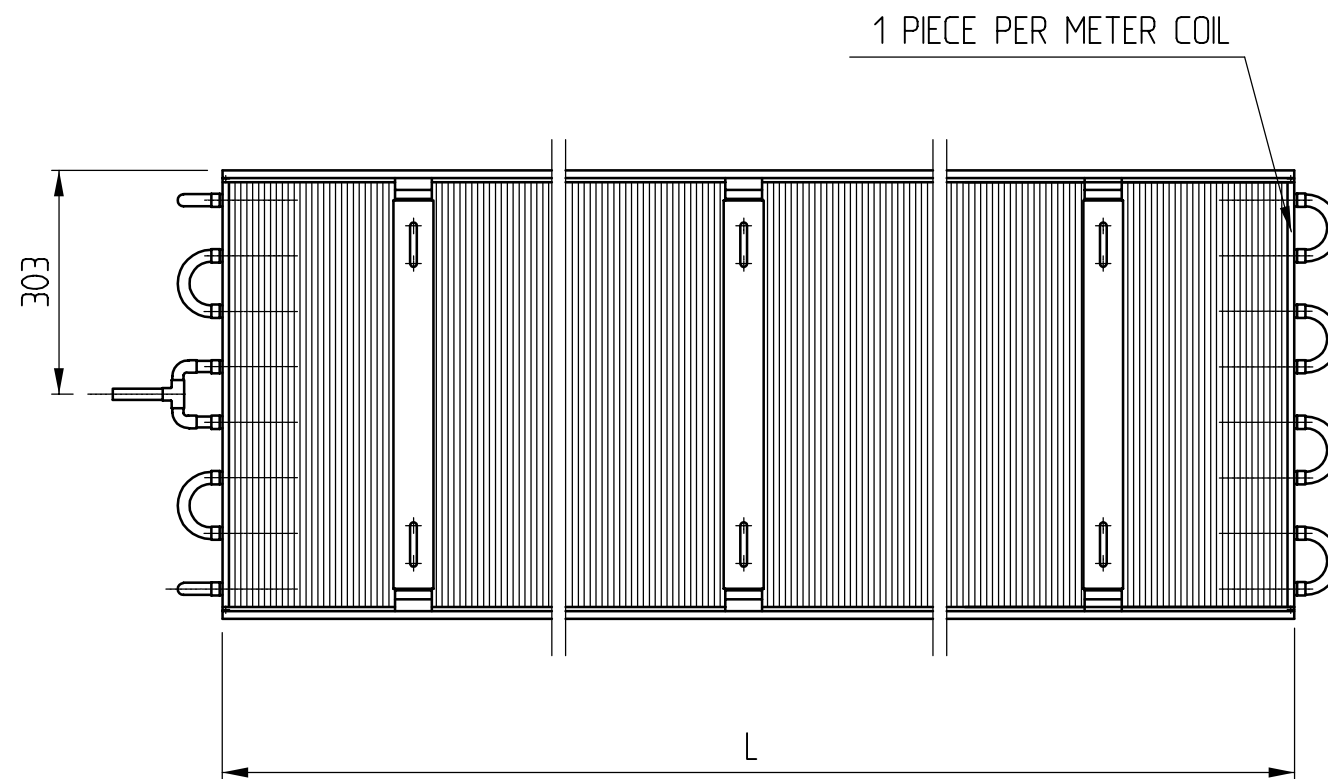
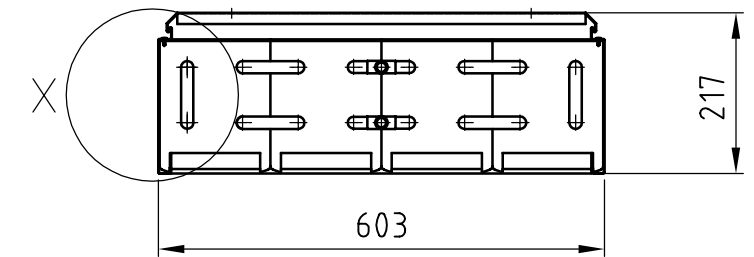
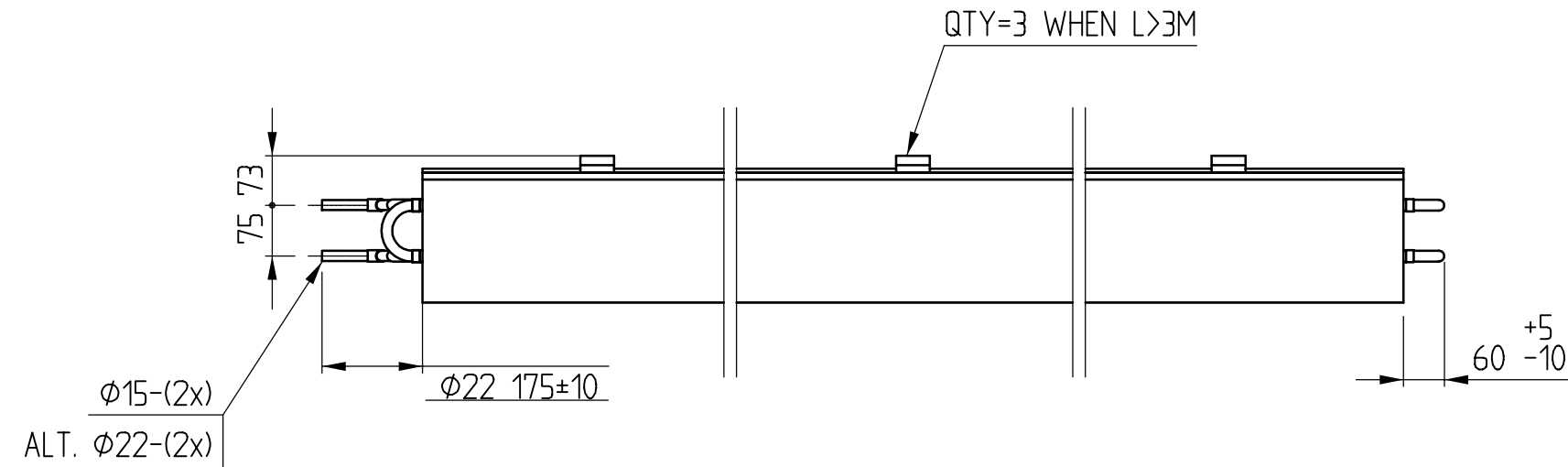
COOLING SYSTEM AB

Vretenvägen 11, S-171 54 Solna, Telefon 08-764 48 20, Telefax 08-764 67 07
E-mail: home@cosy.se, Hemsida: www.cosy.se



CABU-xx60-HP/2

Nr	Ant.	Ändring och/eller medd.-nr	Datum	Inf.	Godk.
01	1	NEW DESIGN	000331	JW	
02	1	MOUNTING CHANGED	001103	JW	
02	1	SCREW SHOWN	001103	JW	



NOT TOLERANCE INDICATED MEASUREMENTS ACC.TO ISO 2768-c

PART OF MAGNIFICATION

COOLING SYSTEM AB

Vretenvägen 11, S-171 54 Solna, Telefon 08-764 48 20, Telefax 08-764 67 07
E-mail: home@cosy.se, Hemsida: www.cosy.se