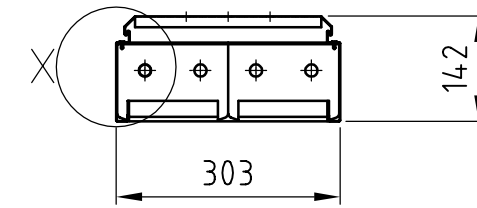
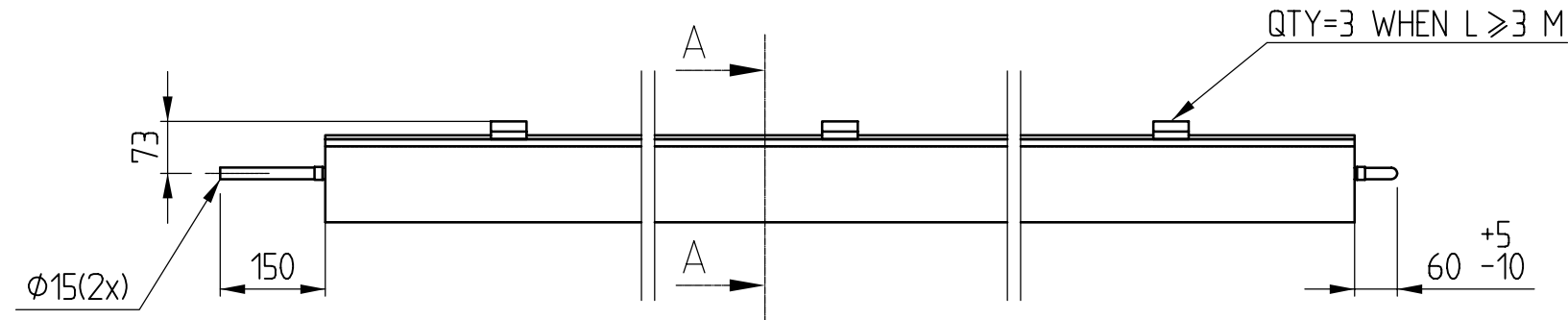


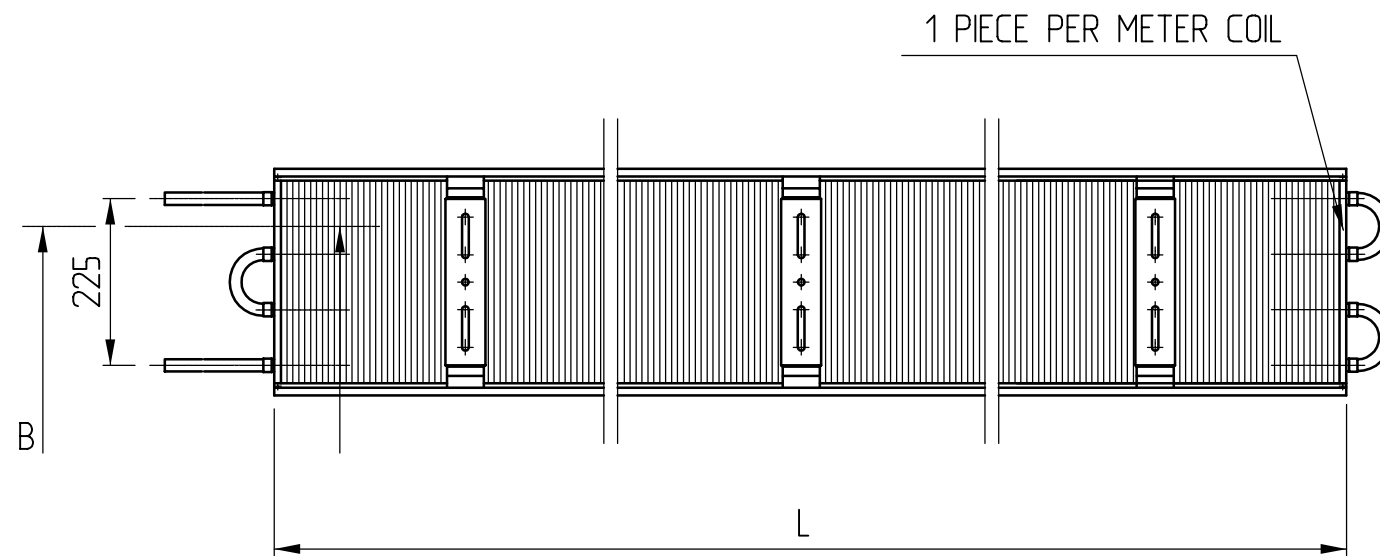


CAB-xx30-HP/1

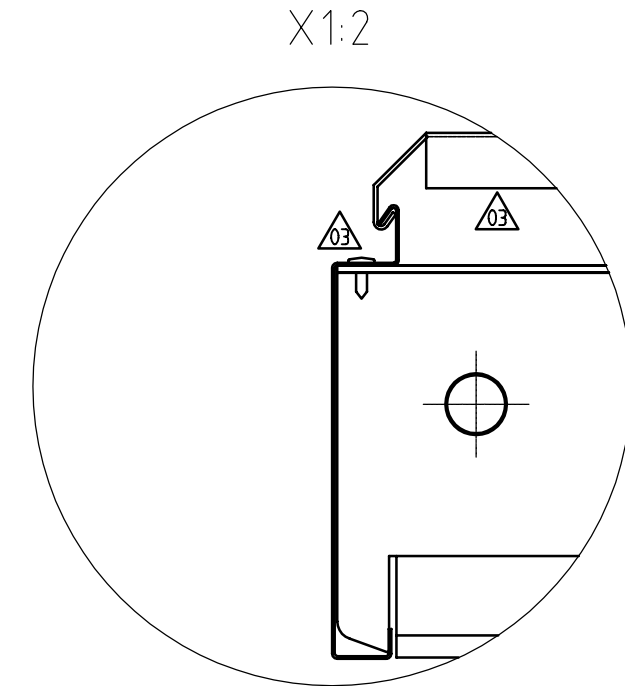
Nr	Ant.	Ändring och/eller medd-nr	Datum	Inf.	Godk.
01	1	PRODUCTCODE CHANGED	960301	M.Å	
02	1	NEW DESIGN	000328	JW	
03	1	MOUNTING CHANGED	001103	JW	
03	1	SCREW SHOWN	001103	JW	



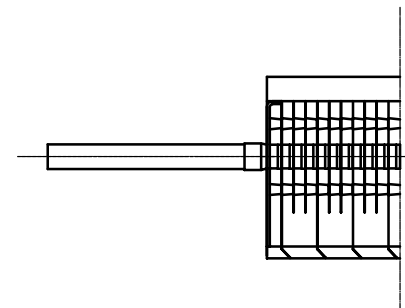
SECTION A - A



NOT TOLERANCE INDICATED MEASUREMENTS ACC.TO ISO 2768-c



PART OF MAGNIFICATION



SECTION B - B

SCALE 1 : 5

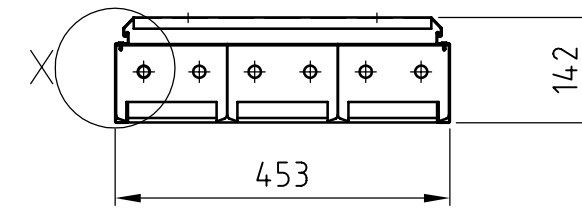
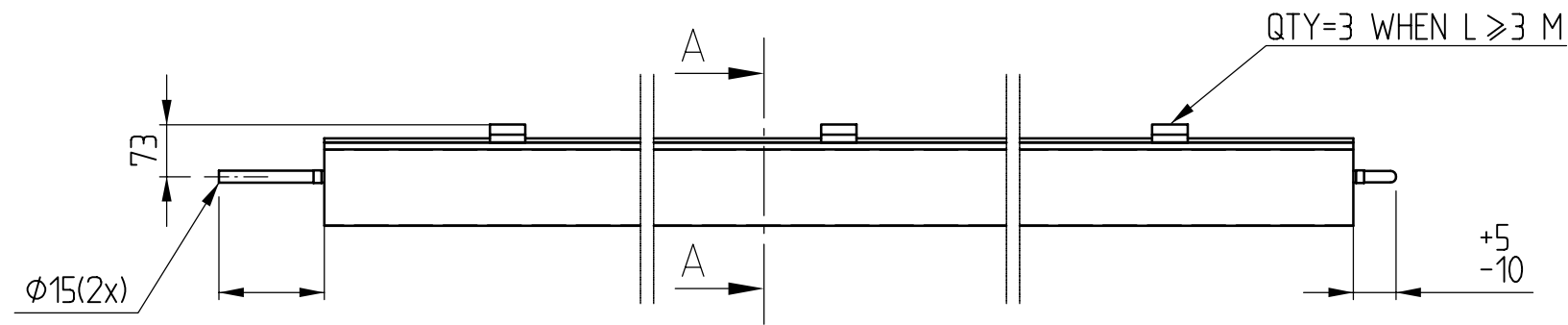
COOLING SYSTEM AB

Vretenvägen 11, S-171 54 Solna, Telefon 08-764 48 20, Telefax 08-764 67 07
E-mail: home@cosy.se, Hemsida: www.cosy.se

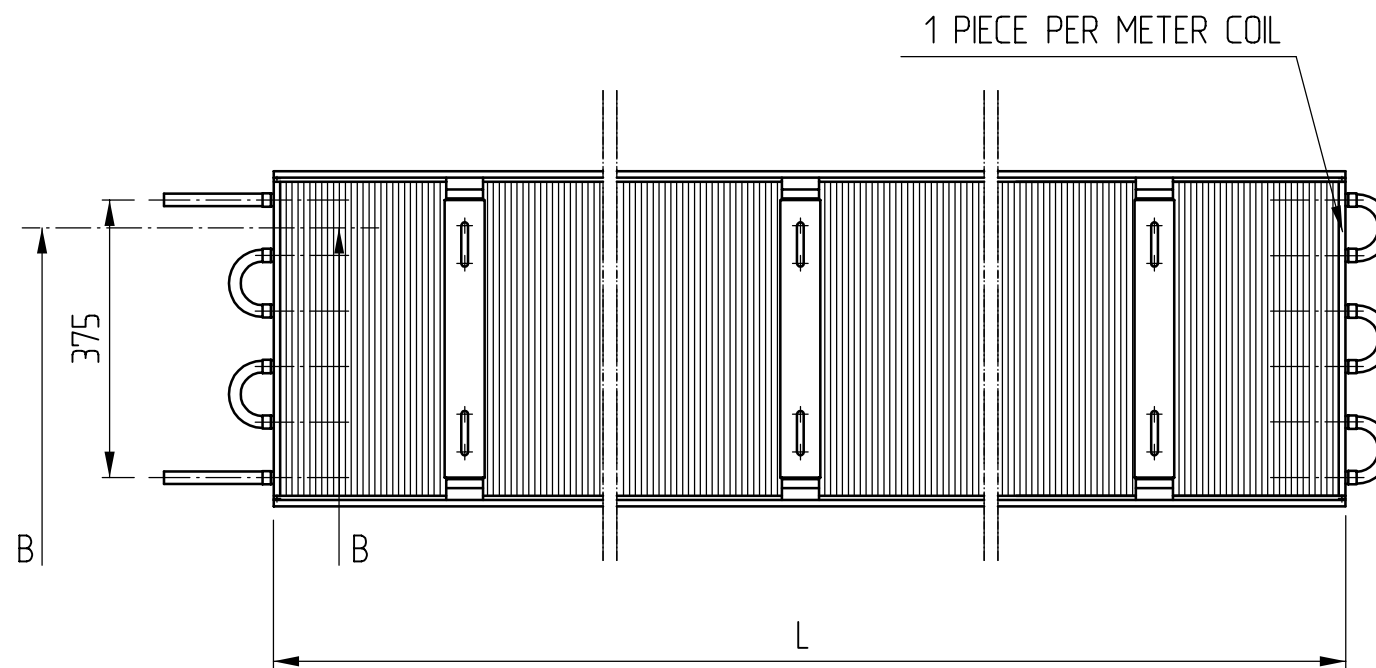


CAB-xx45-HP/1

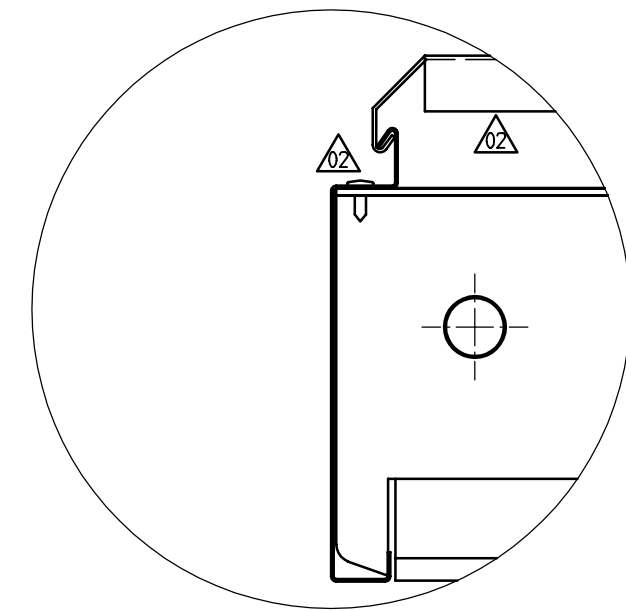
Nr	Ant.	Ändring och/eller medd.-nr	Datum	Inf.	Godk.
01	1	NEW DESIGN	991126	JW	
02	1	MOUNTING CHANGED	001103	JW	
02	1	SCREW SHOWN	001103	JW	



SECTION A - A

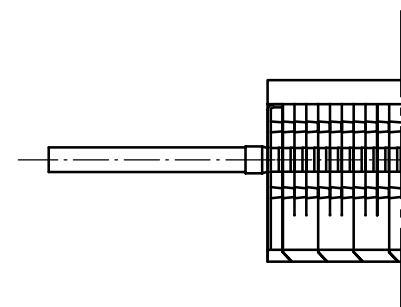


X1:2



PART OF MAGNIFICATION

NOT TOLERANCE INDICATED MEASUREMENTS ACC.TO ISO 2768-c



SECTION B - B

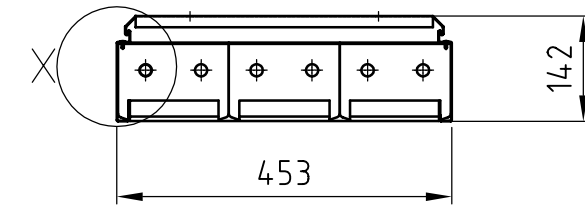
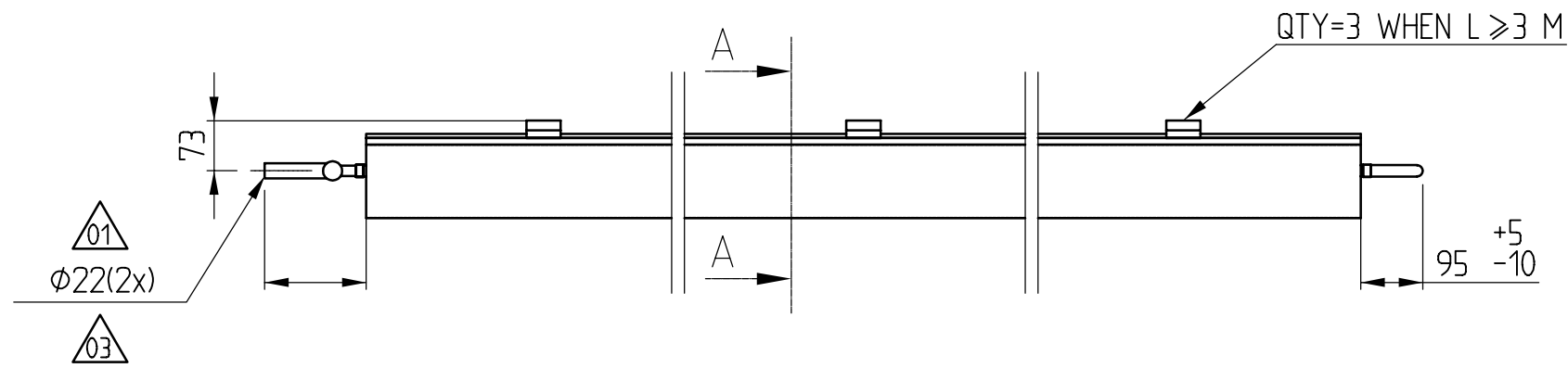
COOLING SYSTEM AB

Vretenvägen 11, S-171 54 Solna, Telefon 08-764 48 20, Telefax 08-764 67 07
E-mail: home@cosy.se, Hemsida: www.cosy.se

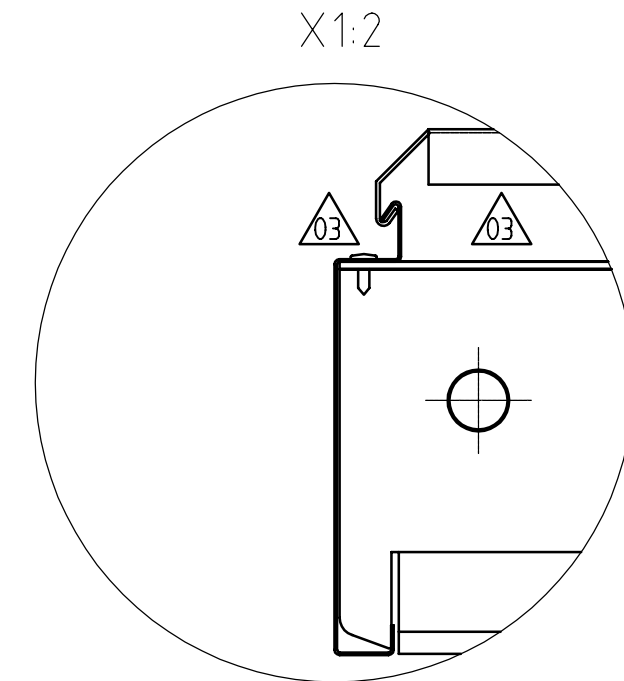
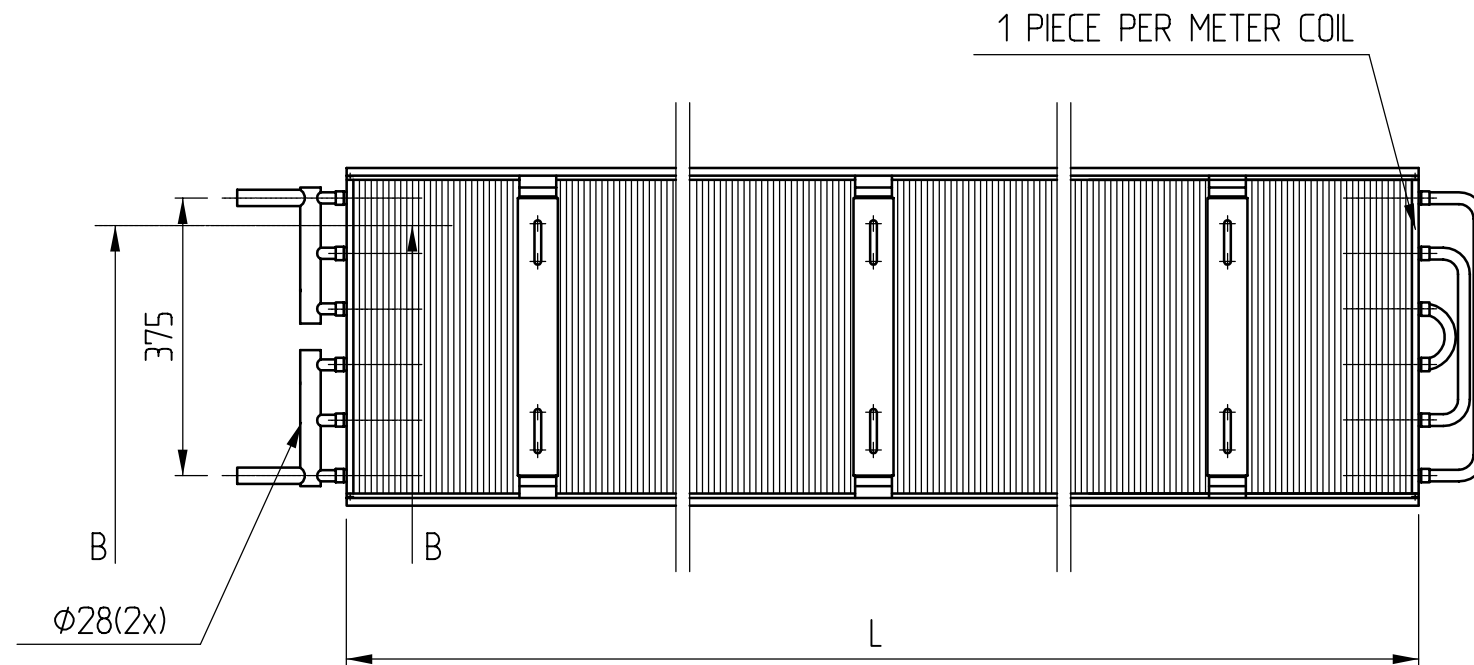


CAB-xx45-HP/3

Nr	Ant.	Ändring och/eller medd.-nr	Datum	Inf.	Godk.
01	1	φ15-φ28 WAS BEFORE φ22	960911	M.Å	
02	1	NEW DESIGN	000328	JW	
03	1	MOUNTING CHANGED	001103	JW	
03	1	SCREW SHOWN	001103	JW	
03	1	PIPE CON. CHANGED TO φ22	001103	JW	

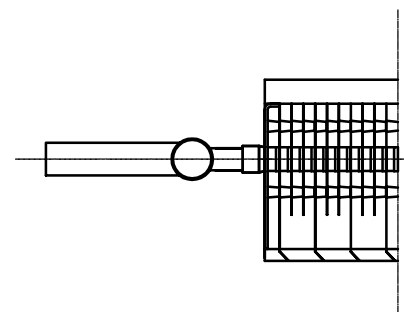


SECTION A - A



PART OF MAGNIFICATION

NOT TOLERANCE INDICATED MEASUREMENTS ACC.TO ISO 2768-c



SECTION B - B

SCALE 1 : 5

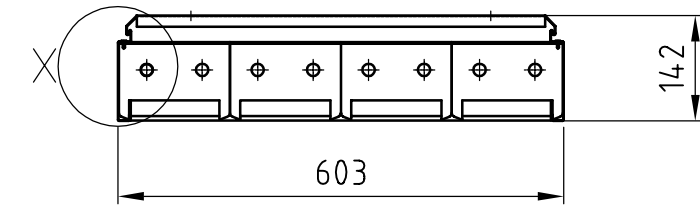
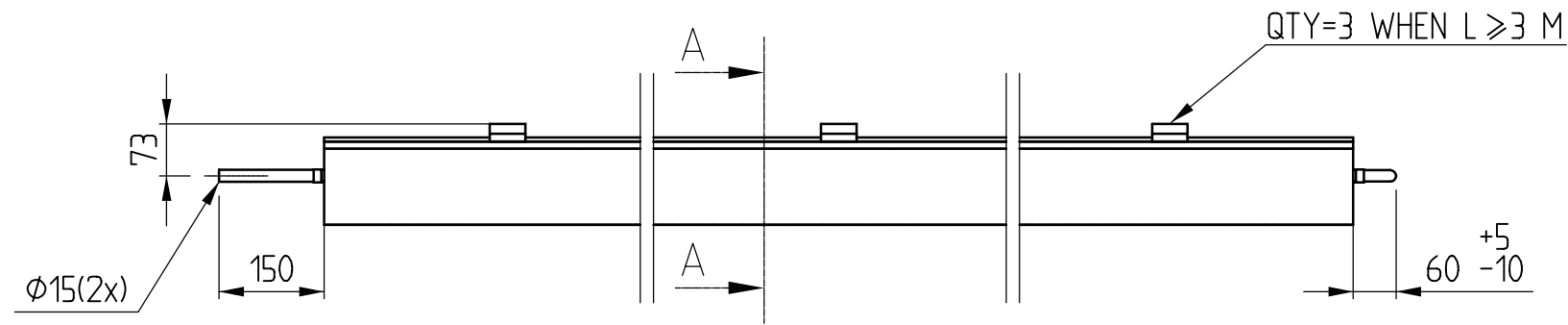
COOLING SYSTEM AB

Vretenvägen 11, S-171 54 Solna, Telefon 08-764 48 20, Telefax 08-764 67 07
E-mail: home@cosy.se, Hemsida: www.cosy.se

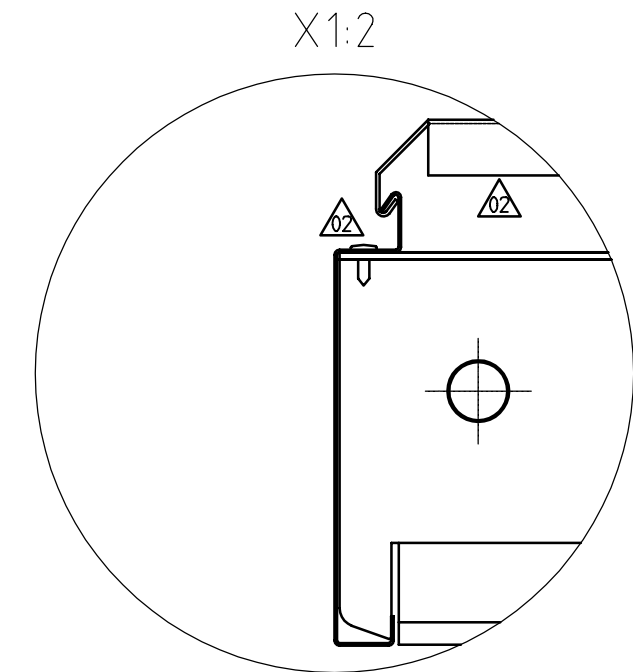
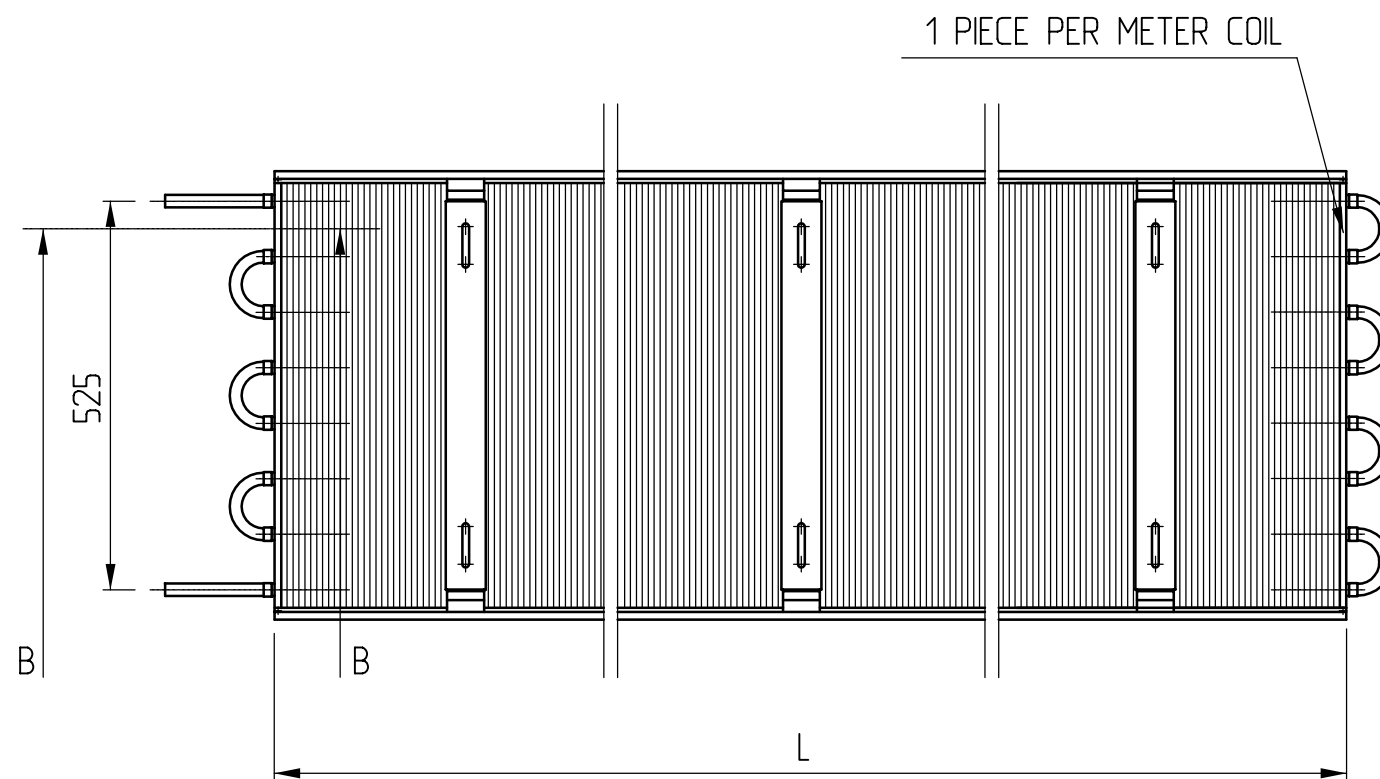


CAB-xx60-HP/1

Nr	Ant.	Ändring och/eller medd.-nr	Datum	Inf.	Godk.
01	1	NEW DESIGN	000328	JW	
02	1	MOUNTING CHANGED	001103	JW	
02	1	SCREW SHOWN	001103	JW	

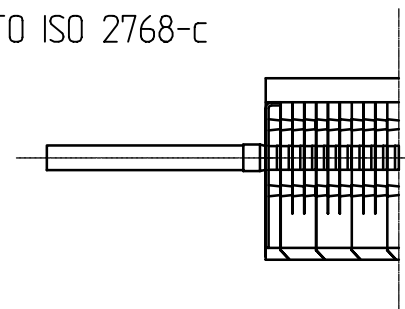


SECTION A - A



PART OF MAGNIFICATION

NOT TOLERANCE INDICATED MEASUREMENTS ACC.TO ISO 2768-c



SECTION B - B

SCALE 1 : 5

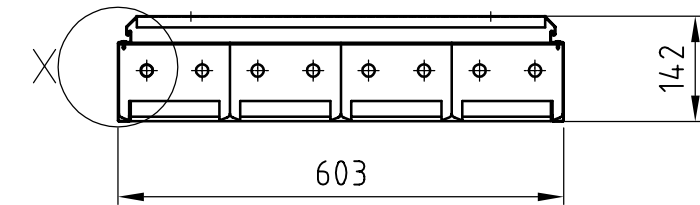
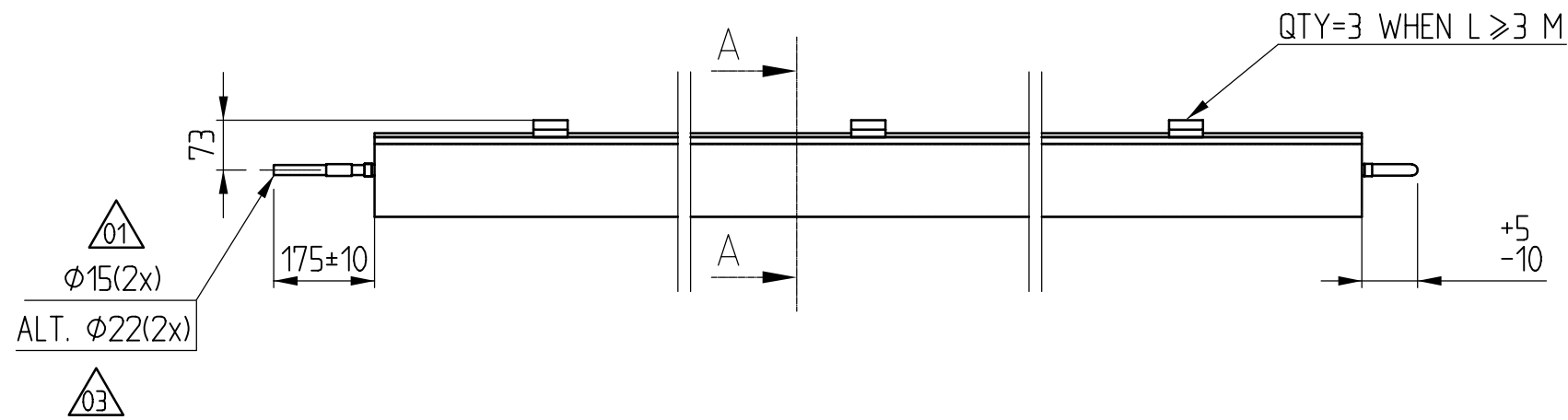
COOLING SYSTEM AB

Vretenvägen 11, S-171 54 Solna, Telefon 08-764 48 20, Telefax 08-764 67 07
E-mail: home@cosy.se, Hemsida: www.cosy.se

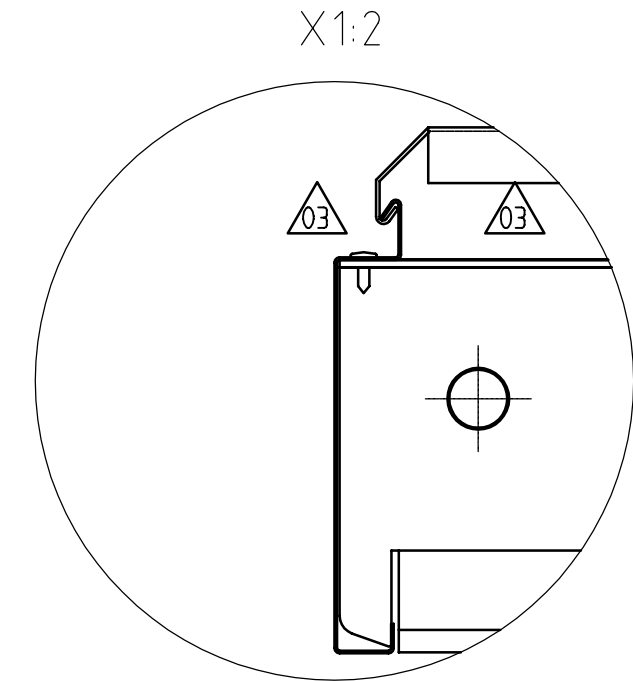
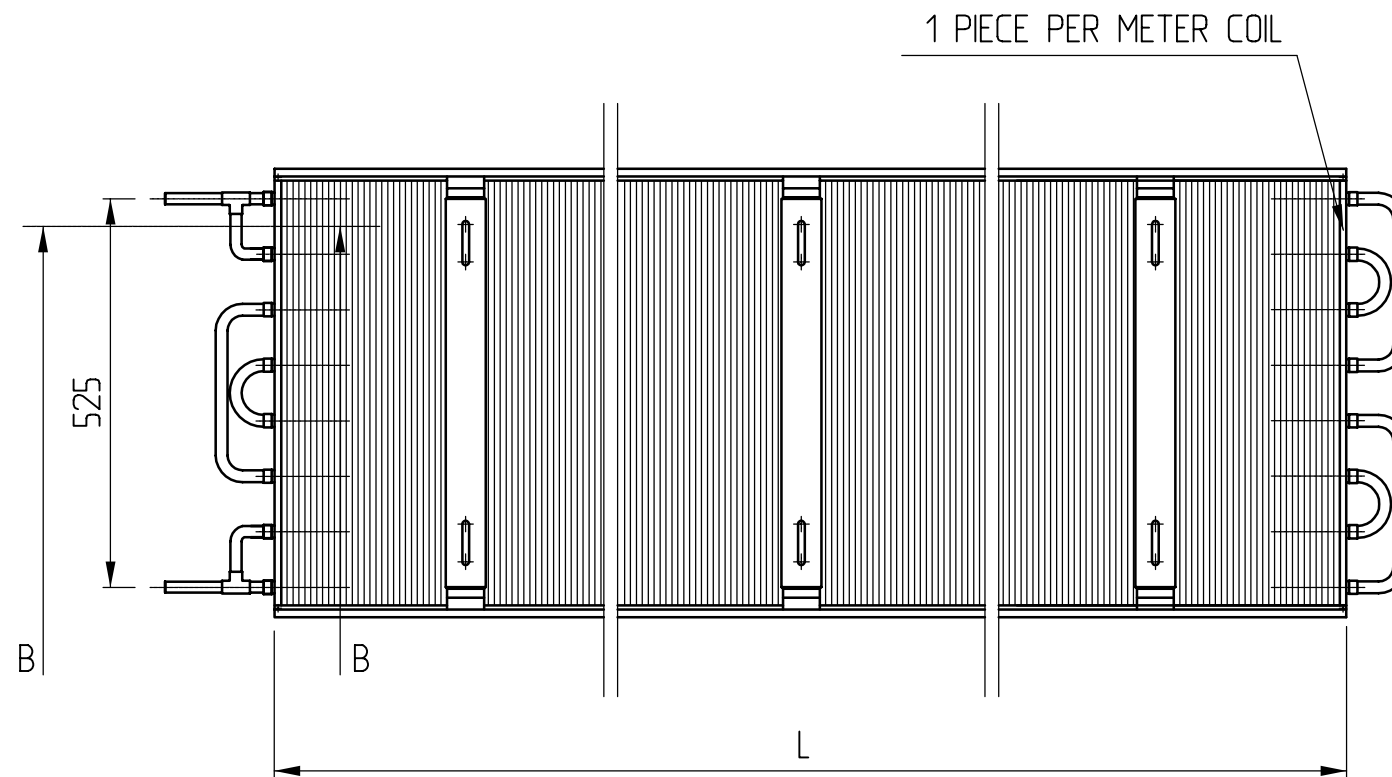


CAB-xx60-HP/2

Nr	Ant.	Ändring och/eller medd.-nr	Datum	Inf.	Godk.
01	1	Ø15-Ø28 WAS BEFORE Ø22	960911	M.Å	
02	1	NEW DESIGN	000328	JW	
03	1	MOUNTING CHANGED	001103	JW	
03	1	SCREW SHOWN	001103	JW	
03	1	PIPE CON. ALT. Ø22 ADDED	001103	JW	

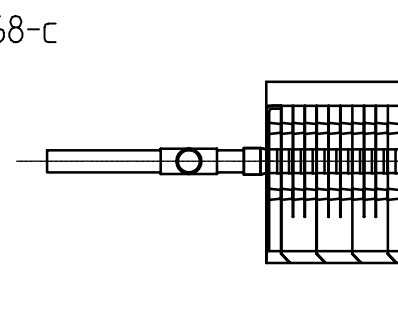


SECTION A - A



PART OF MAGNIFICATION

NOT TOLERANCE INDICATED MEASUREMENTS ACC.TO ISO 2768-c



SECTION B - B

SCALE 1 : 5

COOLING SYSTEM AB

Vretenvägen 11, S-171 54 Solna, Telefon 08-764 48 20, Telefax 08-764 67 07
E-mail: home@cosy.se, Hemsida: www.cosy.se